

Nano N1141

Intel® Celeron® J6412 Quad Core processor
Micro Firewall Appliance



Features :

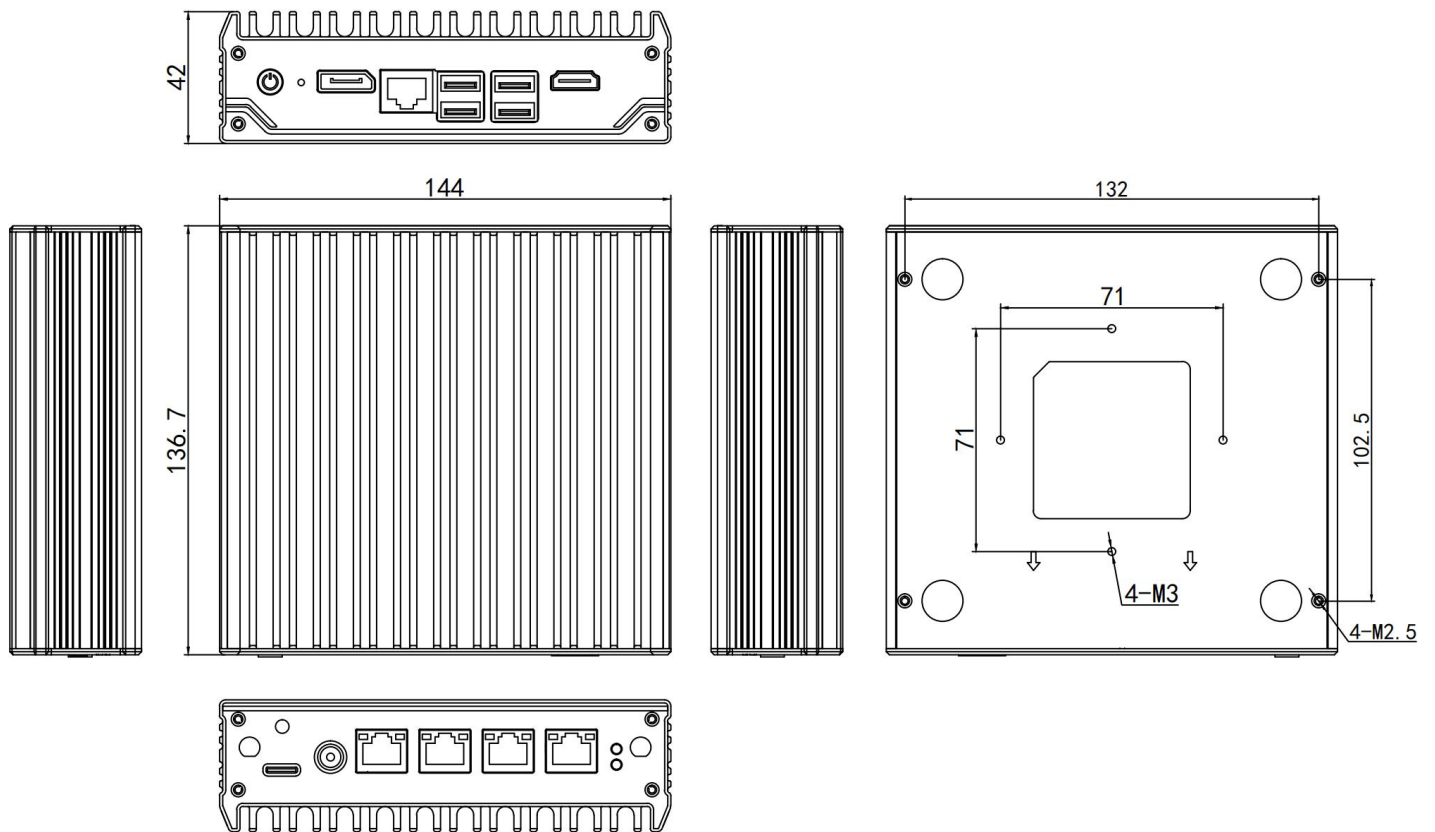
- ◇ All aluminum structure, fanless design ;
- ◇ Onboard Intel Celeron J6412 Quad Core processor ;
- ◇ Support 4*Intel i225-V 2.5G LAN ;
- ◇ Support 1*HDMI,1*DP ;
- ◇ Support 1*SODIMM DDR4,Max:32 GB
- ◇ Support OS:



Specification

| | |
|------------------|--|
| Model | Nano N1141 |
| Color | Metal gray (any color is optional) |
| Material | High-quality all aluminum, surface anodic oxidation |
| Processor | Onboard Intel Celeron J6412 (Quad core quad threading, 2.0GHz, pulse frequency 2.6GHz) |
| CPU Architecture | Elkhart Lake |
| RAM | Support 1*DDR4 3200MHz SODIMM Memory Slot, Max. Support 32GB |
| BIOS | AMI UEFI BIOS |
| Display Chip | Intel(R) UHD Graphics |
| Display Port | 1*HDMI,1*DP (Support Synchronous/asynchronous dual display,Resolution Max., 4096x2160 @ 60Hz) |
| Front I/O | 1*Power switch,1*DP,1*RJ45 COM(Support Console function) 2*USB2.0,2*USB3.1,,1*HDMI,1*Restart button, |
| Rear I/O | 4*RJ45 LAN,1*DC IN,1*SIM card slot |
| Expansion Slot | Support 1*M.2 2280 M-key slot (support SATA protocol) Support 1*M.2 2230 E-key slot (support WIFI、 Bluetooth) Support 1*mini PCIE slot (Support 4GM modem,outside SIM slot,support USB signal WiFi/Bluetooth) |
| Network | 4*Intel i225-V 2.5G LAN |
| Storage | 1*M.2 2280 slot,1*2.5 inch HDD/SSD |
| Input Voltage | DC 12V input |
| Other Function | Power-on, timed power-on, network wake-up, PXE boot, watchdog (level 0-255), TPM2.0 security encryption |
| Work Temp | 0℃ — +40℃,surface air flow (HDD) ,-20℃ — +60℃,surface air flow (SSD),surface air flow |
| Work Humidity | 0% - 95% non-condensing |
| Certificates | CE、 CCC、 FCC Class A、 ROHS |
| Dimension | 144 * 136.7 * 42 mm |
| Net Weight | 0.78 kg |
| Application | Industrial automation, medical, logistics and transportation, warehousing, electronic education and other fields |

Nano N1141 Drawing



Accessory

| Name | Quantity | Specification |
|---------------|----------|---|
| Power Adapter | 1 | 12V 4A/12V 5A |
| Power Cord | 1 | Any Plug is optional (Chinese, British, USA standard etc) |
| VESA Braket | 1 | Standard |

Optional information

Configuration Nano N1141 Intel Celeron J6412 Standard Port