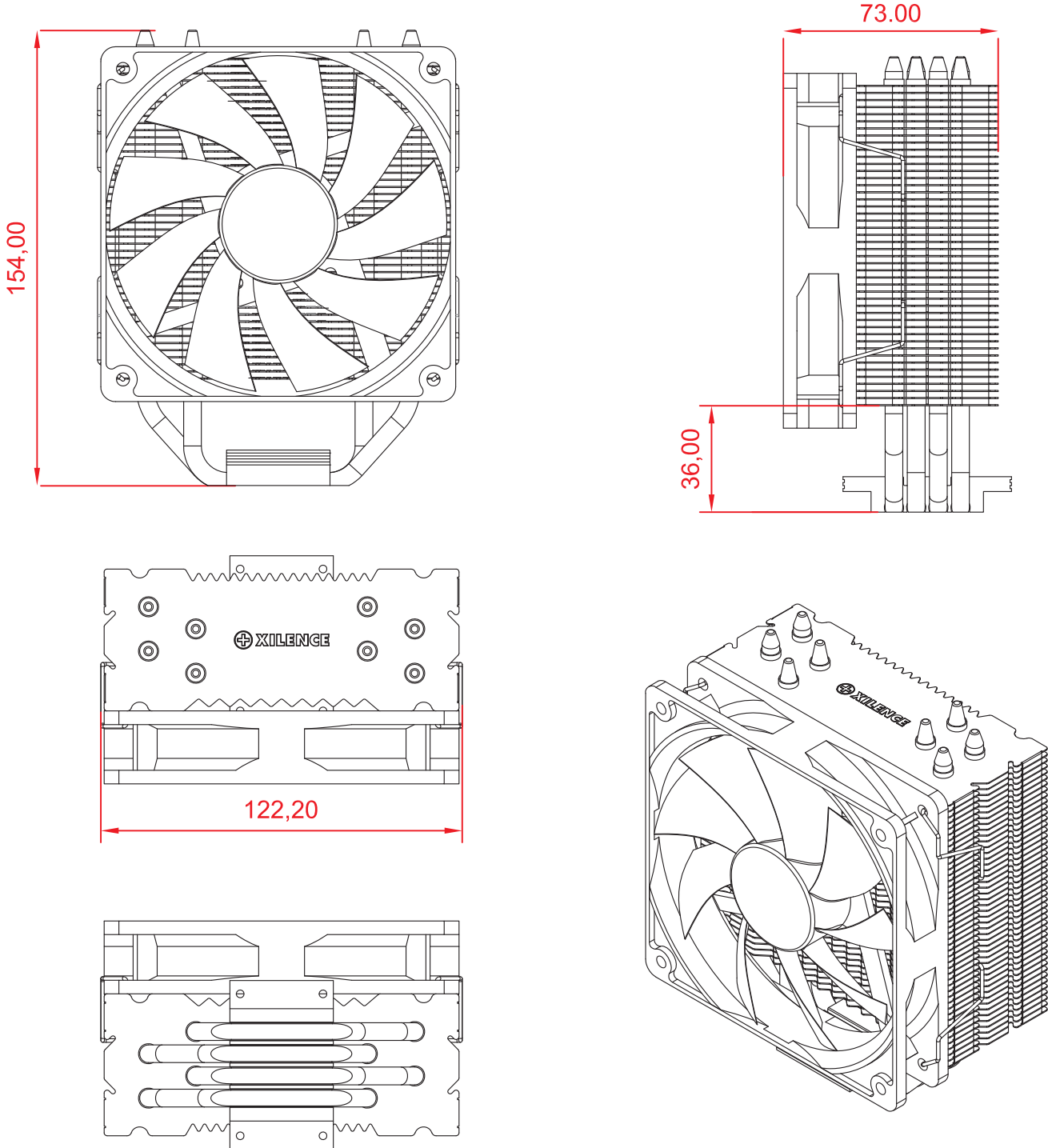


# Performance A+ Series

## Technical Drawing



## Logistical Data

Manufacturer number M704  
Item number XC051  
EAN Barcode 4044953501340