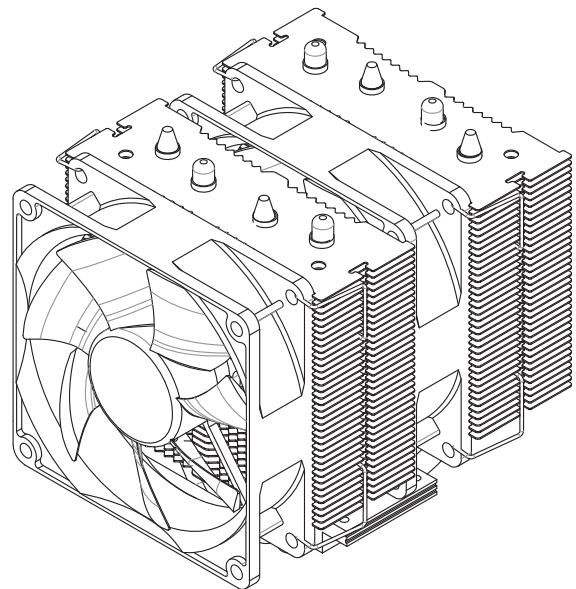
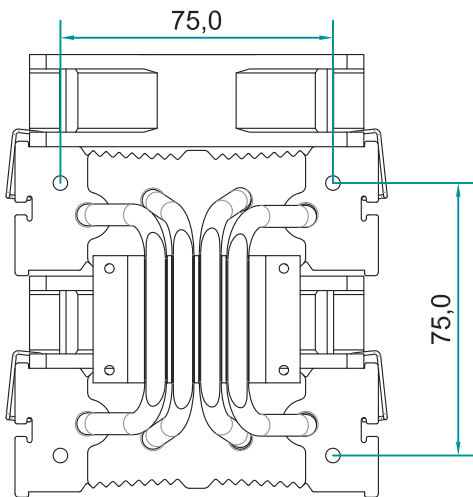
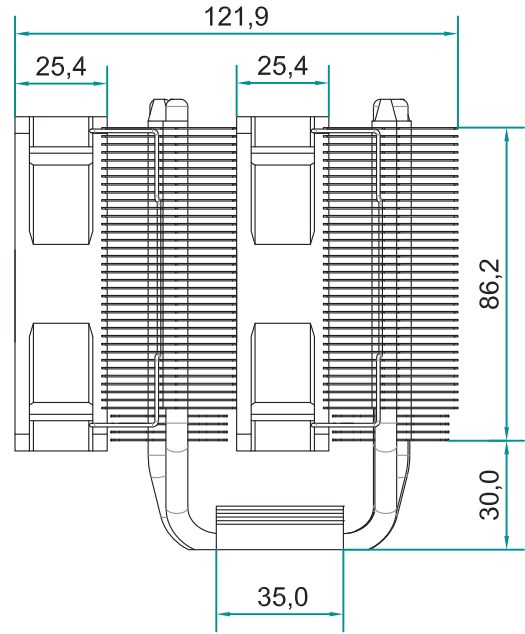
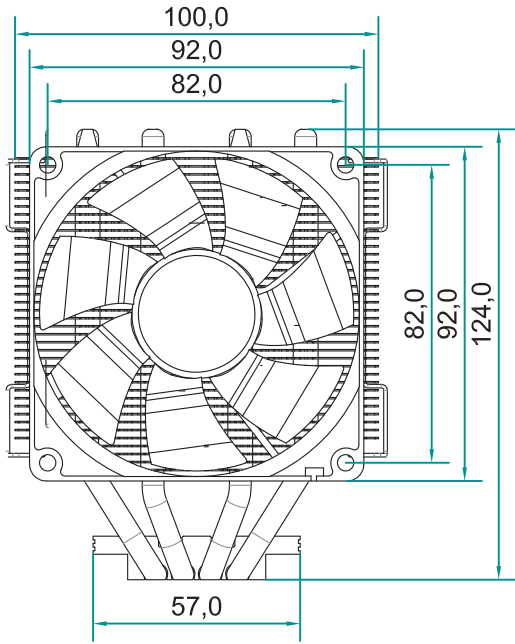


Performance C Series

Technical Drawing



Logistical Data

Manufacturer number	M504D
Item number	XC044
EAN Barcode	4044953501197