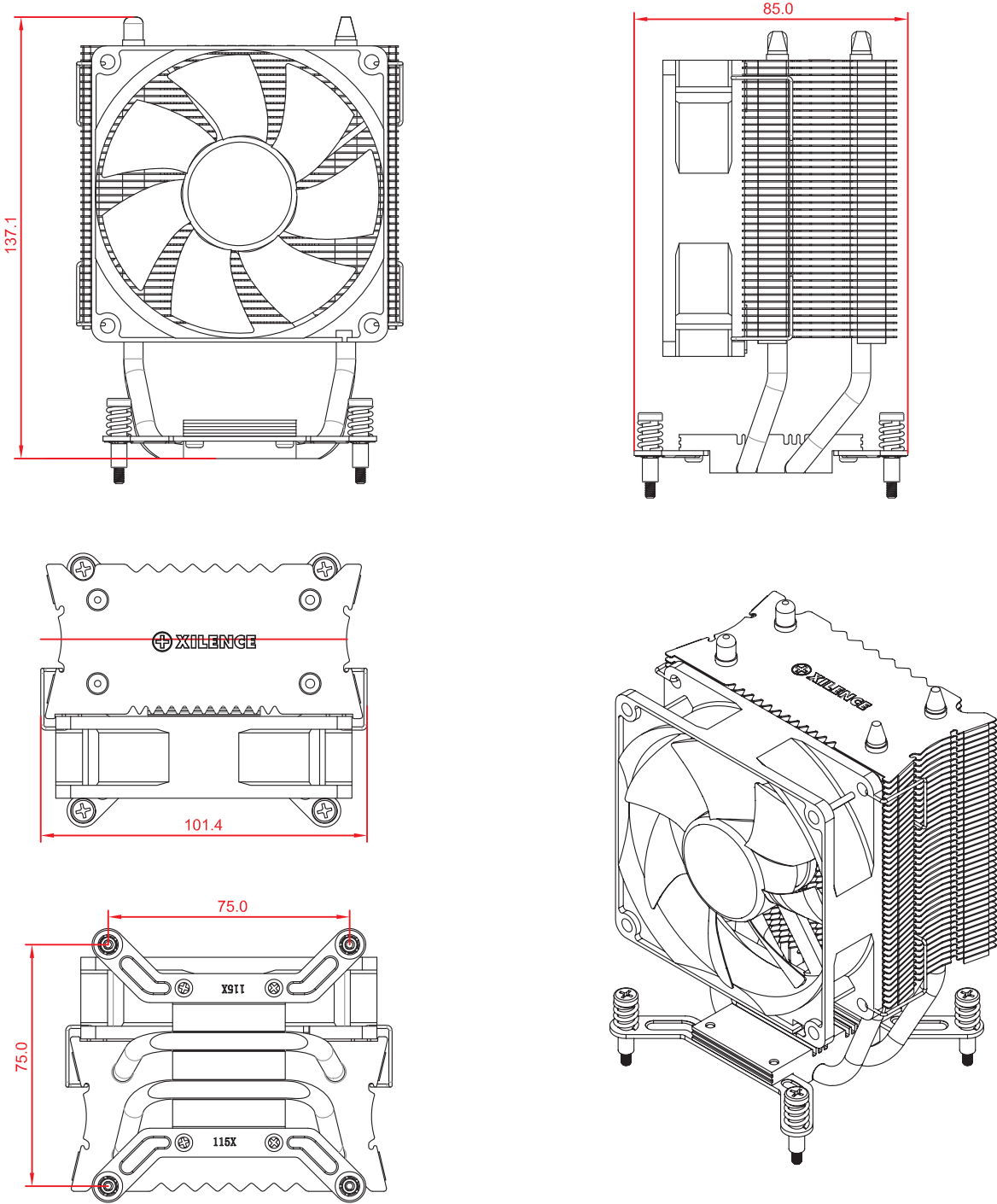


# Performance C Series

## Technical Drawing



## Logistical Data

Manufacturer number 1402  
 Item number XC026  
 EAN Barcode 4044953500282