

Nano N3022

Intel 10th generation core i3 / i5 processor Mini PC



Features

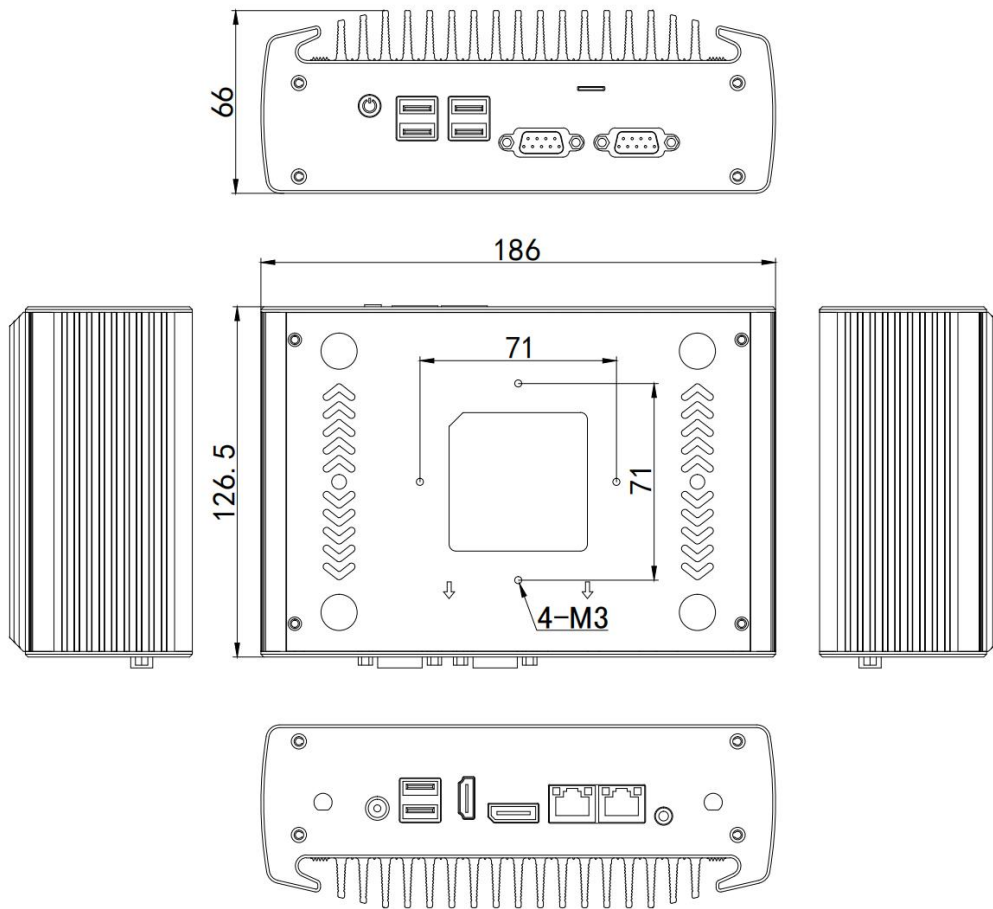
All aluminum structure, fanless design ;
 Intel 10th Core i3-10110U, i5-10210U, i7-10810U
 Support TPM2.0, support windows 11
 Support 1*DDR4 memory slot, Max.Support 32G;
 Support 1*M.2 2280 slot, 1*2.5"HDD;
 Support 2*COM (2*COM RS232/485 is Optional);
 Support DC 12V Input;
 Support OS:



Specification

Model	Nano N3022
Color	Black (color can be customized)
Material	High-quality all aluminum
Processor	Intel Core i3 10110U (Dual core 4 threads, 2.1G, Max. Turbo 4.1G, 4MB Cache)
	Intel Core i5 10210U (Quad core 8 threads, 1.6G, Max. Turbo 4.2G, 6MB Cache)
	Intel Core i7 10810U (6 core 12 threads, 1.1G, Max. Turbo 4.9G, 12MB Cache)
CPU Architecture	Comet Lake
RAM	Support 1*DDR4 2133/2400 SODIMM memory slot, Max. Support 32GB
BIOS	AMI EFI BIOS
Display Chip	Intel UHD Graphics for 10th Gen Intel Processors
Display Port	1*DP, 1*HDMI
Front I/O	2*COM (2*COM RS232/485 is Optional), 4*USB3.0, 1*Power Switch, 1*SIM slot
Rear I/O	1*DC-IN 12V, 2*USB2.0, 1*HDMI, 1*DP, 2*Intel 1000M LAN, 1*Audio (Support Mic and Speaker at the same time)
Expansion Slot	Support 1*M.2 2280 slot (Support M.2 PCIE X4 and M.2 SATA SSD);
	Support 1*MINI PCIE slot (WIFI/3G/4G choose one from three), embedded SIM socket;
Network	2*Intel i211-AT 10/100/1000M LAN
Storage	Support 1*M.2 2280 slot, 1*2.5"HDD, support RAID 0/1
Power Supply	DC 12V
Work Temp	0°C ~ +40°C(HDD), -20°C ~ +50°C(Industrial grade SSD), surface air flow
Work Humidity	5% ~ 95% non-condensing
Dimension	186 * 126.5 * 66 mm
Net Weight	1.3 kg

N3022 Drawing



Accessories List

Name	Quantity	Specification
Power Adapter	1	i3 10110U suggest use 12V 5A
		i5 10210U suggest use 12V 5A
Power Cord	1	Any Plug is optional (Chinese, British, USA standard etc)

Order Information

Configuration one	N15	Intel Core i3 10110U	Standard Port
Configuration two		Intel Core i5 10210U	Standard Port
Configuration three		Intel Core i7 10810U	Standard Port

Application:

Business Office, HD Video Playback, Electronic Education, Industrial Automation etc.