



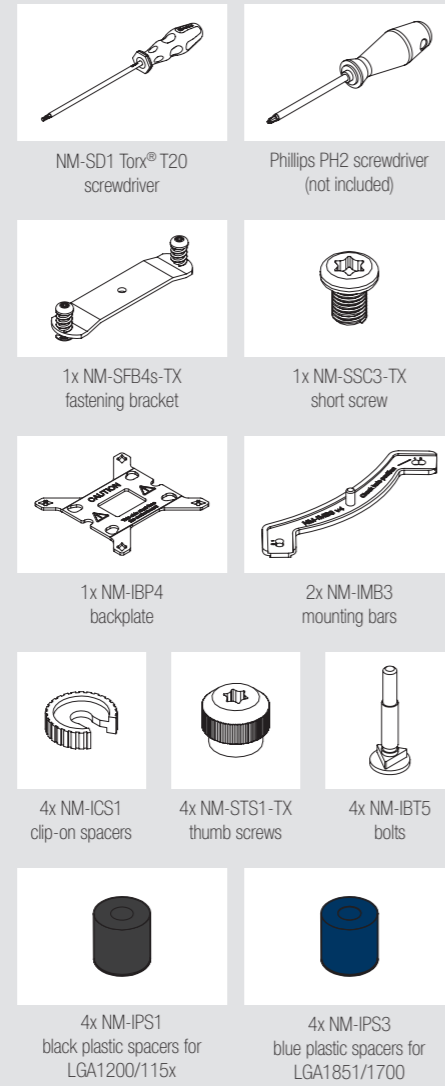
INTEL

AMD

INTEL

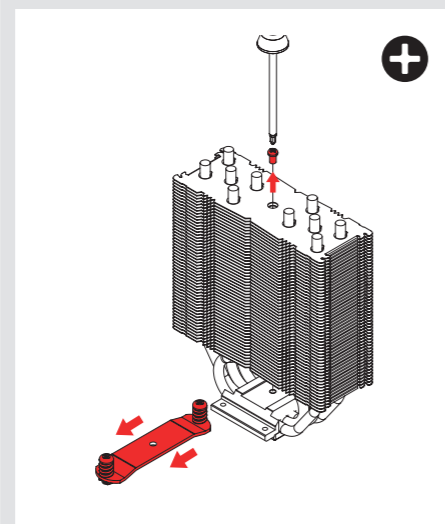
LGA1851, LGA1700,
LGA1200 & LGA115x

Required mounting parts:

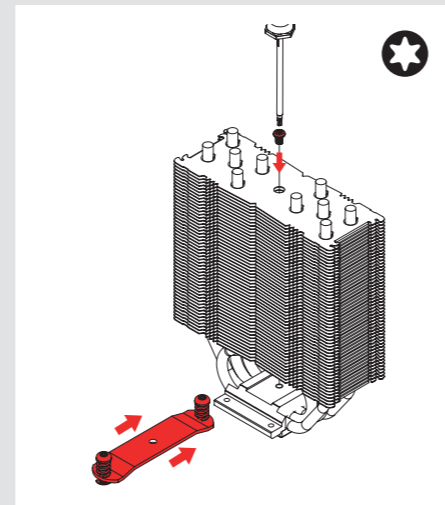


1 Replacing the original fastening bracket

Unscrew the original bracket using the L-shaped Phillips PH2 screwdriver supplied with the cooler or any other Phillips PH2 screwdriver with a shaft that is long enough to reach the screw:



Fix the new bracket with the short Torx® screw included with the NM-M1 mounting-kit:



Caution: Be careful not to overtighten the screw, do not apply more than 0.6 Nm torque max.! Due to the reduced cam-out of the Torx® system, it is easier to accidentally apply excessive torque.

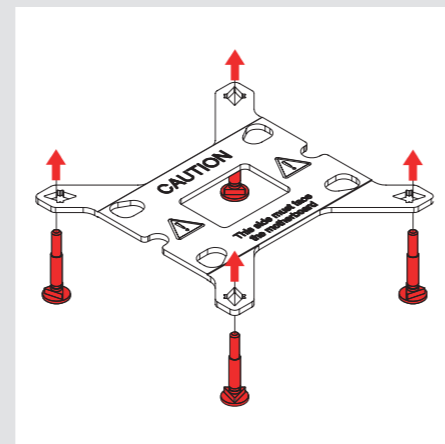
2 Removing the motherboard

If you would like to use the cooler on an assembled system and your case does not have a cut-out at the rear side of the motherboard tray, you must first remove the motherboard from the case in order to be able to install the supplied backplate.

3 Setting up the backplate

First, identify the side of the backplate that should face the motherboard (marked with caution signs).

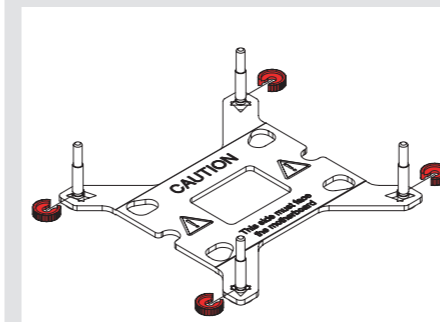
Then choose the appropriate hole spacing for your socket and insert the four bolts into the backplate from the opposite side (marked with model name, SecuFirm2™ branding and numbers for hole spacing) at the appropriate position.



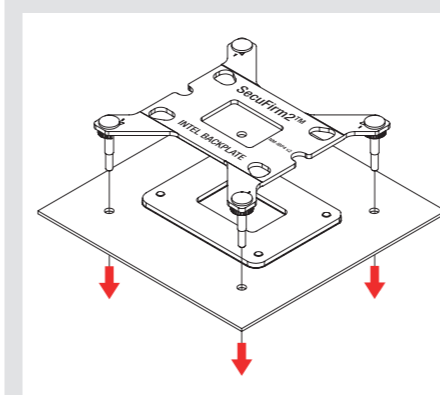
Use hole position 1 for LGA1200/115x (LGA1150, LGA1151, LGA1155, LGA1156) and hole position 2 for LGA1851/LGA1700:



Fix the bolts using the NM-ICS1 clip-on spacers.



4 Attaching the backplate



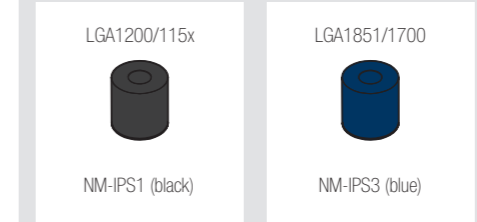
Caution: The supplied backplate will install over the motherboard's stock backplate, so the motherboard's stock backplate must not be taken off.

Place the backplate on the rear side of the motherboard so that the bolts protrude through the mounting holes.

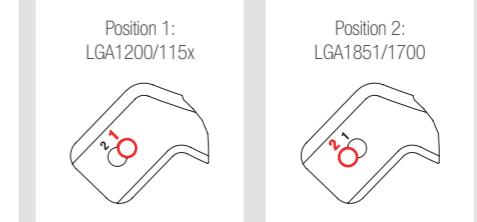
5 Installing the mounting bars

Please first choose the correct set of plastic spacers and the correct set of holes on the mounting bars according to whether you are using an LGA1200/LGA115x (LGA1150, LGA1151, LGA1155, LGA1156) or an LGA1851/LGA1700 socket motherboard.

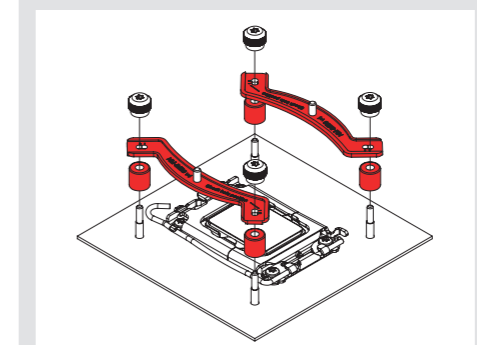
Use the black NM-IPS1 plastic spacers for LGA1200/LGA115x (LGA1150, LGA1151, LGA1155, LGA1156) and the blue NM-IPS3 spacers for LGA1851/LGA1700.



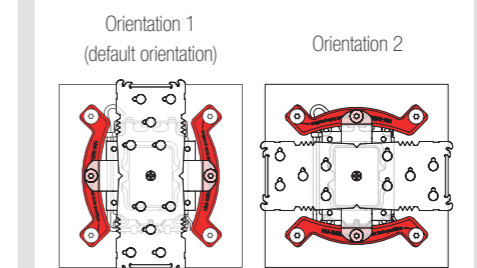
Use hole position 1 for LGA1200/115x (LGA1150, LGA1151, LGA1155, LGA1156) and hole position 2 for LGA1851/LGA1700:



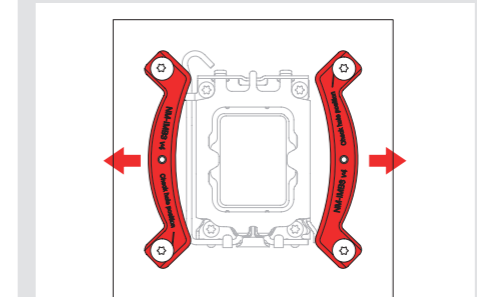
Put the plastic spacers onto the bolts of the backplate, then add the mounting bars.



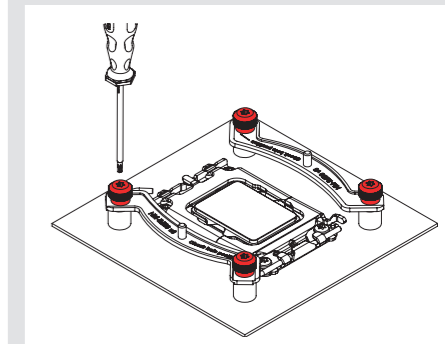
Caution: Choose the alignment of the mounting bars according to the desired final orientation of the cooler.



Caution: Make sure that the curved sides of the mounting bars are pointing outwards.



Fix the mounting bars using the four NM-ST51-TX thumb screws.

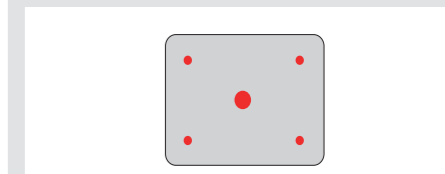


Caution: Gently tighten the screws until they stop, but do not use excessive force (max. torque 0.6 Nm).

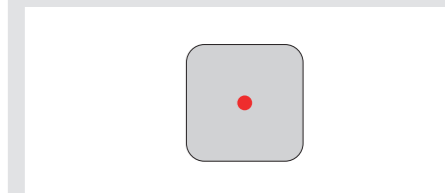
6 Applying the thermal paste

If there are residual traces of thermal paste or thermal pads on your CPU, please clean them off first. Then apply thermal paste onto the CPU as shown in the following images.

For LGA1851/LGA1700, apply 5 small dots; 4 dots with ~2mm diameter near the corners plus 1 dot with 3-4mm diameter in the centre:



For LGA1200/115x (LGA1150, LGA1151, LGA1155, LGA1156) apply a single 4-5mm dot in the centre:



Caution: Applying too much thermal paste will lower heat conductivity and cooling performance!

7 Fastening the heatsink to the CPU

Caution: Note that depending on the cooler model, it may be necessary to remove the fan(s) in order to reach the mounting screws. If you're using the cooler for the first time, please also take off the protection cover at the bottom side of the heatsink first!

Then put the heatsink onto the CPU and screw it to the screw threads of the mounting bars. Perform 2-3 turns on each screw, then repeat until both are fully tightened.

Dear customer,

The NM-M1-MP78 is an enthusiast-grade, multi-socket SecuFirm2™ mounting-kit that represents an ideal upgrade for users who want to migrate their Noctua CPU coolers to the new, Torx® based SecuFirm2™ standard or to the latest sockets that their cooler did not yet support at the time of purchase.

Keep enjoying your Noctua cooler with your new NM-M1 kit!

Yours sincerely,

Roland Mossig, Noctua CEO

This manual will guide you through the installation process step by step using an NH-U12S heatsink as an example. Please note that the installation procedure is identical for all models.

Prior to installing the cooler, please consult the compatibility centre on our website (ncc.noctua.at) and verify that the cooler is fully compatible with your motherboard.

Please also make sure that your PC case offers sufficient clearance for the cooler and that there are no compatibility issues with any other components (e.g. tall RAM modules). Double check that the heatsink and fan clips do not make contact with the VGA card, other PCIe cards, motherboard heatsinks or any other components.

Noctua cannot be held responsible for any damage or losses caused by compatibility issues.

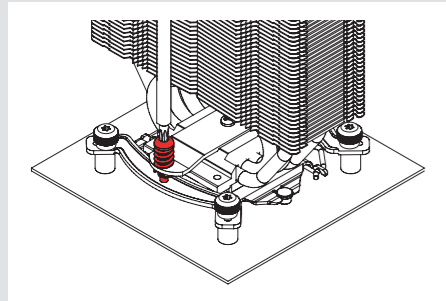
Should you encounter any difficulties, please check the FAQs on our website (faq.noctua.at) and don't hesitate to contact our support team at: support@noctua.at

Multilingual versions of this manual are available on our website: www.noctua.at/manuals

Please note that this NM-M1-MP78 kit is compatible with heatsinks with 78mm mounting pitch only. For heatsinks with 83mm mounting pitch, the NM-M1-MP83 kit must be used instead.

To find out how to determine if your cooler uses 83mm or 78mm mounting pitch, please see: www.noctua.at/mounting-pitch

For detailed, up-to-date socket compatibility information please visit: ncc.noctua.at/socket-compatibility-overview



Caution: Gently tighten the screws until they stop, but do not use excessive force (max. torque 0.6 Nm).

8 Fan setup

Reattach the fan(s) to the heatsink (if removed during the installation process) and connect the fan(s) to the motherboard as described in the cooler manual. If you don't have it at hand, you can download it at: www.noctua.at/manuals

! Transporting your system

As it is not possible to reliably calculate or control the forces that act upon a system during transport (e.g. in shipping), we generally recommend, for safety reasons, taking off coolers with a total weight of more than 700g (incl. fan).

If the weight of the heatsink without fan is below 700g and the total weight including fan is above 700g, we recommend taking off the fan from the heatsink in order to reduce the weight below 700g.

Noctua cannot be held responsible for any damage that may arise due to excessive stress during transport if you keep the heatsink installed.

! Warranty, support and FAQs

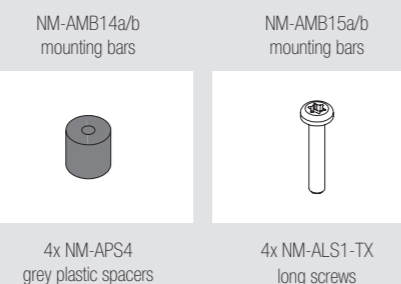
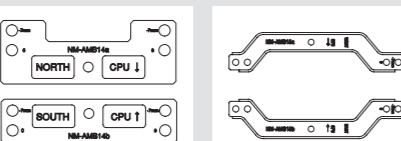
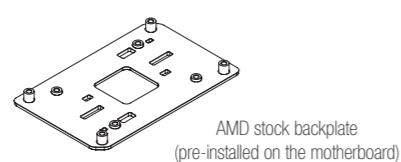
Even with high-grade products and strict quality control, the possibility of defects cannot be eliminated entirely. Therefore, we aim at providing the highest possible level of reliability and convenience by offering a warranty period of 6 years and direct, fast and straightforward RMA service.

Should you encounter any problems with your NM-M1-MP78, please don't hesitate to contact our support team at: support@noctua.at

Please also consult the FAQ section on our website: faqs.noctua.at

AMD AM5 & AM4

Required mounting parts:

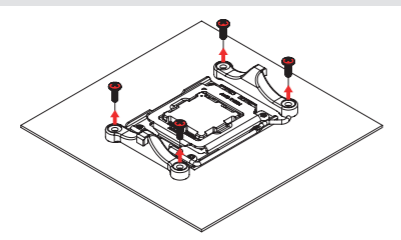


1 Replacing the original fastening bracket

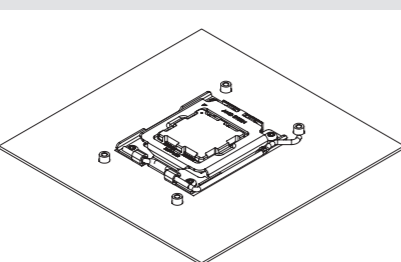
Please refer to step 1 of the Intel installation manual.

2 Removing the stock retention module – putting the backplate in place

The SecuFirm2™ mounting system will install directly to the motherboard's stock backplate, so please first remove the motherboard's stock CPU cooler retention module by unscrewing it from the backplate (if it has not already been removed for previous installations).



On AM4, the stock backplate will become loose when unscrewing the retention module, so hold it in place for the next step. If you have lost your stock AM4 backplate, please contact us at support@noctua.at. On AM5, the stock backplate is screw-fixed to the socket, so should simply remain in place.



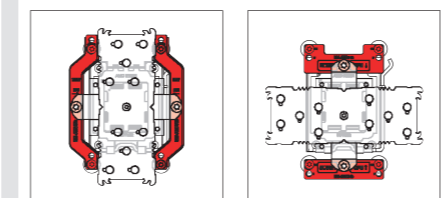
3 Installing the mounting bars

Choose your mounting bars according to the desired final orientation of the cooler.

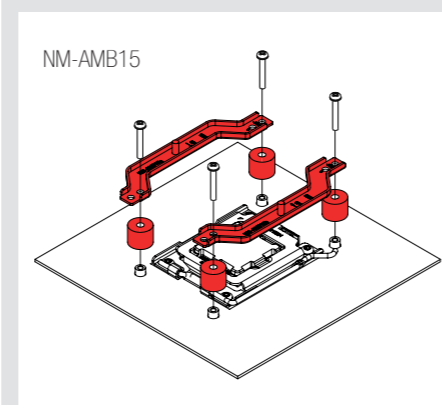
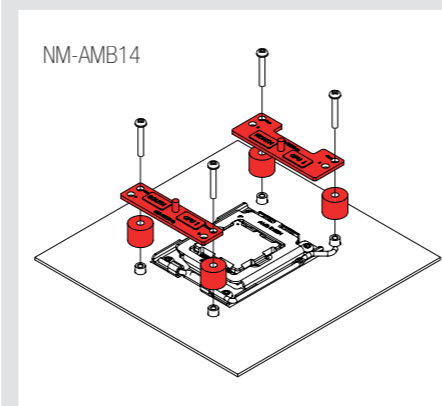
Caution: For NH-U and NH-D series tower coolers, the default orientation is to have the fan(s) blowing towards the I/O panel of the motherboard.

For more details, please refer to the cooler manual.

Orientation 1 (NM-AMB15) (default orientation) Orientation 2 (NM-AMB14)



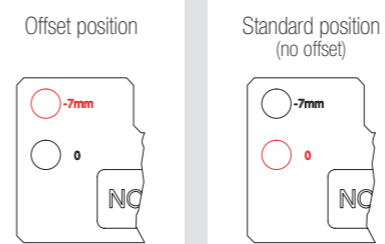
First put the plastic spacers onto the screw threads of the backplate. Then fix the NM-AMB14 or NM-AMB15 mounting bars using the four NM-ALS1-TX long screws.



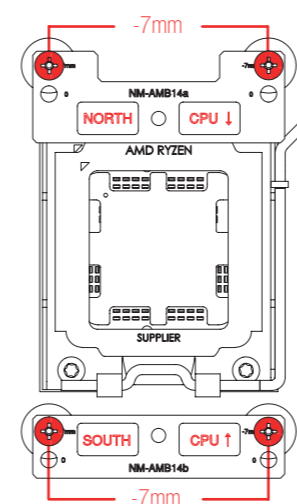
On AM5 and Ryzen 5000/3000 series AM4 CPUs, choose the -7mm offset hole position to ensure optimal contact quality and performance.

On other AM4 CPUs, or if there are any compatibility issues in the offset position (e.g. clearance with motherboard heatsinks), please choose the standard position (0).

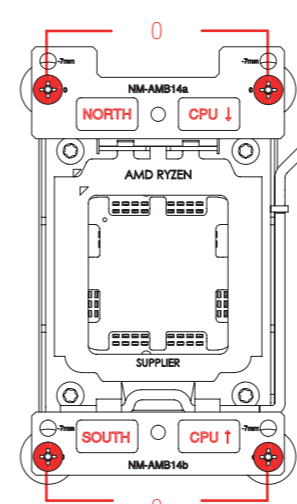
NM-AMB14



Offset position



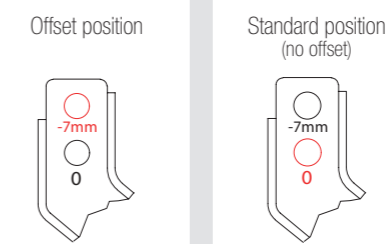
Standard position (no offset)



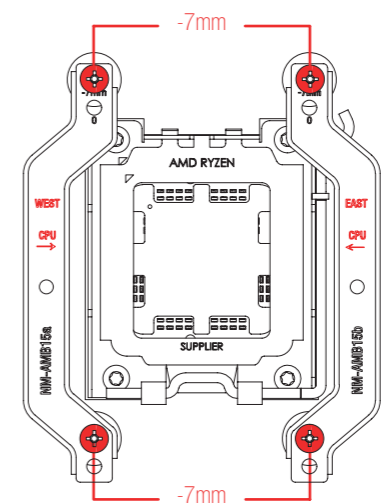
Caution: Make sure that the "CPU →" markings point towards the CPU and that the NM-AMB14a bar with the "NORTH" marking is installed on the north (top) side of the socket and the NM-AMB14b bar with the "SOUTH" marking is installed on the south (bottom) side of the socket, as shown above.

Gently tighten the screws until they stop, but do not use excessive force (max. torque 0.6 Nm).

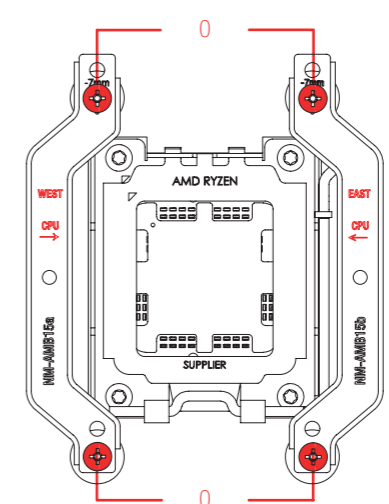
NM-AMB15



Offset position



Standard position (no offset)



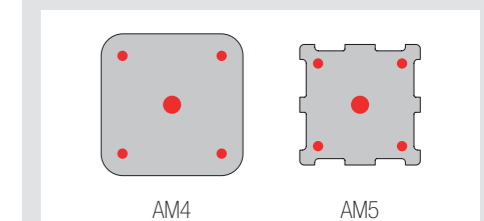
Caution: Make sure that the "CPU →" markings point towards the CPU and that the NM-AMB15a bar with the "WEST" marking is installed on the west (left) side of the socket and the NM-AMB15b bar with the "EAST" marking is installed on the east (right) side of the socket, as shown above.

Gently tighten the screws until they stop, but do not use excessive force (max. torque 0.6 Nm).

4 Applying the thermal paste

If there are residual traces of thermal paste or thermal pads on your CPU, please clean them off first.

Then, apply 5 dots of thermal paste; 4 small dots with ~2mm diameter near the corners plus 1 dot with 3-4mm diameter in the centre:



Caution: Applying too much thermal paste will lower heat conductivity and cooling performance!

5 Fastening the heatsink to the CPU

Please refer to step 7 of the Intel installation manual.

6 Fan setup

Please refer to step 8 of the Intel installation manual.

! Transporting your system

As it is not possible to reliably calculate or control the forces that act upon a system during transport (e.g. in shipping), we generally recommend, for safety reasons, taking off coolers with a total weight of more than 700g (incl. fan).

If the weight of the heatsink without fan is below 700g and the total weight including fan is above 700g, we recommend taking off the fan from the heatsink in order to reduce the weight below 700g.

Noctua cannot be held responsible for any damage that may arise due to excessive stress during transport if you keep the heatsink installed.

! Warranty, support and FAQs

Even with high-grade products and strict quality control, the possibility of defects cannot be eliminated entirely. Therefore, we aim at providing the highest possible level of reliability and convenience by offering a warranty period of 6 years and direct, fast and straightforward RMA service.

Should you encounter any problems with your NM-M1-MP78, please don't hesitate to contact our support team at: support@noctua.at

Please also consult the FAQ section on our website: faqs.noctua.at