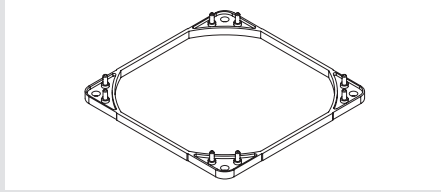




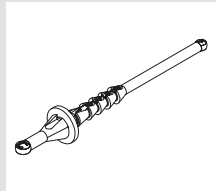
Designed to replace the fan's stock NA-AVP1 anti-vibration pads, the NA-IS1-12 are compatible with all current square-frame Noctua 120x25mm fans and extremely straightforward to install:

For case fan applications, either the supplied self-tapping screws or the included NA-AV3 anti-vibration mounts can be used to sandwich the spacer between the fan and the case panel. For radiator mounting, both M3 and UNC 6-32 screws are supplied.

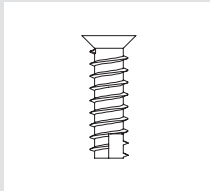
### Included mounting parts:



2x NA-IS1-12 inlet spacers



8x NA-AV3  
anti-vibrations mounts



8x NM-SFS4-BK  
long fan screws

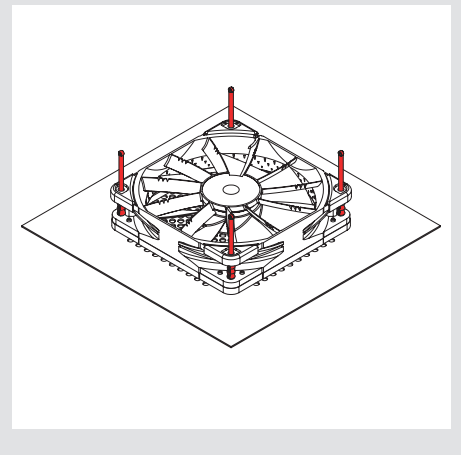
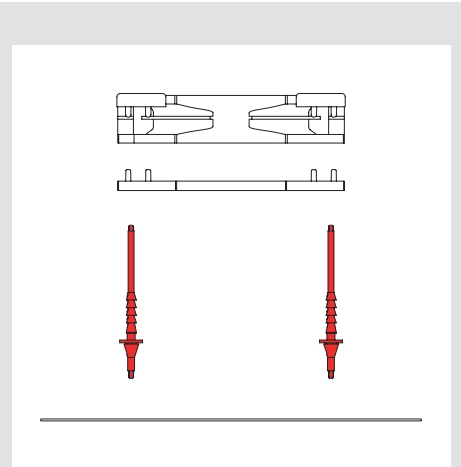
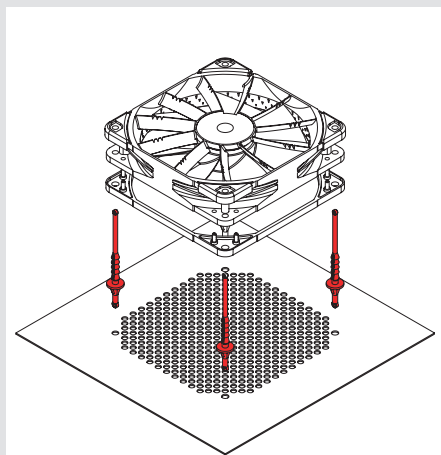


8x NM-SFS5-BK  
radiator screws (M3)

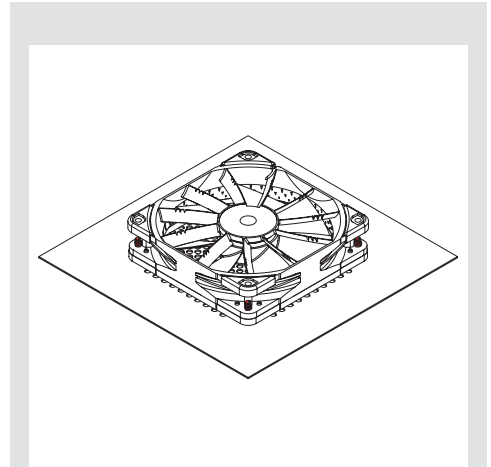
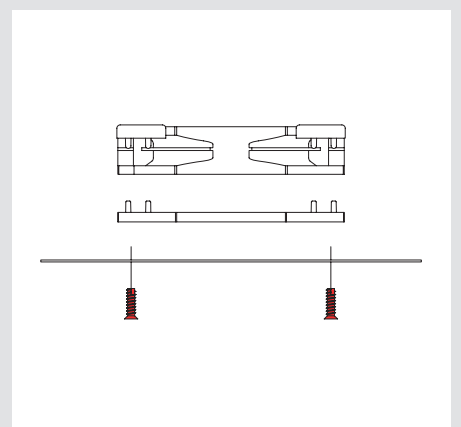
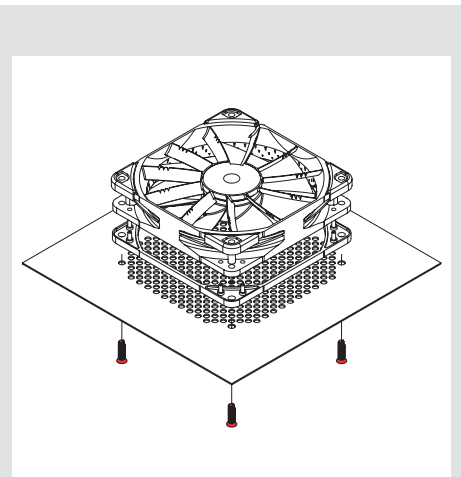


8x NM-SFS6-BK  
radiator screws (UNC)

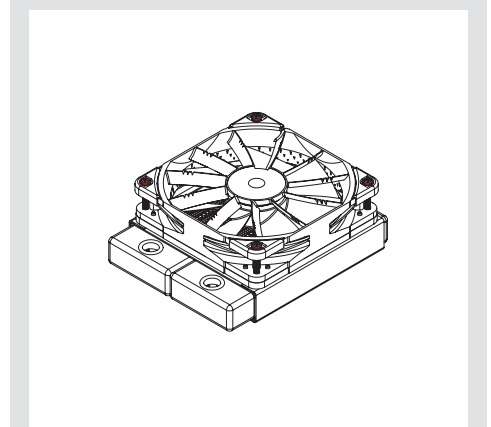
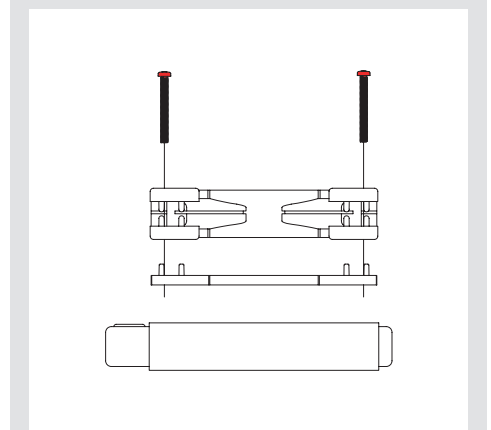
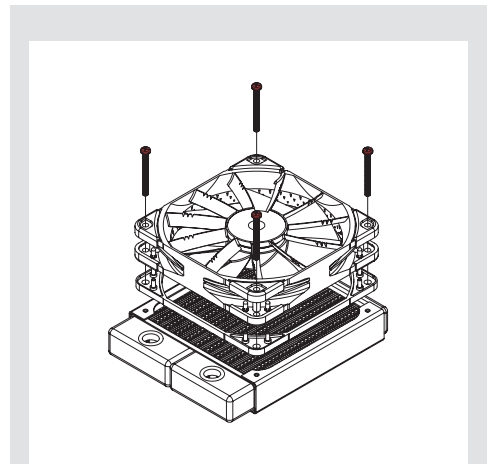
## 1 Case fan installation with NA-AV3



## 2 Case fan installation with screws



## 3 Radiator installation

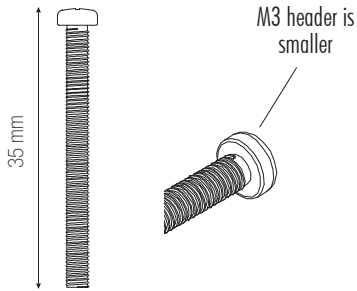




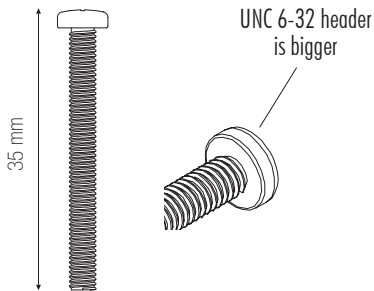
## ! Caution

We supply both M3 thread (small head) and UNC 6-32 thread (bigger head) screws. Please make sure to select the correct screw type for your radiator (refer to manufacturer specifications or contact manufacturer)!

M3



UNC



## ! Warranty, support and FAQs

Even with high-grade products and strict quality control, the possibility of defects cannot be eliminated entirely. Therefore, we aim at providing the highest possible level of reliability and convenience by offering a warranty period of 6 years and direct, fast and straightforward RMA service.

Should you encounter any problems with your NA-IS1-12 Sx2, please don't hesitate to contact our support team at [support@noctua.at](mailto:support@noctua.at).

Please also consult the FAQ section on our website: [www.noctua.at/faqs](http://www.noctua.at/faqs)