

NA-IS1-12 Sx2

Noctua NA-IS1-12 Sx2 2x Inlet Side Spacers



The NA-IS1-12 Sx2 is a set of two 5mm thick intake side spacer frames for Noctua 120x25mm fans that can help to improve both acoustics and performance in suction or “pull” type applications where the fan draws air through obstacles such as grills, perforated plates, mesh panels, filters or radiators. By offsetting the fan from the obstacle, the NA-IS1 inlet spacer reduces influx turbulences, which can, depending on the application and fan model, not only improve airflow but also significantly reduce overall noise levels and make the fan sound more pleasant to the ear. Designed to replace the fan’s stock NA-AVP1 anti-vibration pads, the NA-IS1-12 are compatible with all current square-frame Noctua 120x25mm fans and extremely straightforward to install: For case fan applications, either the supplied self-tapping screws or the included NA-AV3 anti-vibration mounts can be used to sandwich the spacer between the fan and the case panel. For radiator mounting, both M3 and UNC 6-32 screws are supplied. In sum, the NA-IS1-12 Sx2 set is a simple yet highly effective fine-tuning measure for suction type applications where a reduction of influx turbulence can lead to improved airflow and acoustics.

Improving suction acoustics

Suction applications where fans draw air through obstacles such as grills or perforated panels are notoriously challenging acoustically due to the turbulences caused by these obstacles. Introducing a 5mm off-set between the fan and the obstacle, the NA-IS1 spacers can reduce these turbulences, which often improves noise levels and/or noise profiles significantly.

More airflow, less noise

Reducing influx turbulences doesn’t only improve acoustics, it also helps fans to operate more efficiently from an airflow performance point of view because the fan blades are less hampered by turbulence. In many suction type applications, using inlet spacers can therefore enable fans to achieve higher flow rates and lower noise emissions at the same time.

Compatible with all current Noctua 120x25mm fans

Replacing the fan’s stock NA-AVP1 anti-vibration pads, the NA-IS1-12 are compatible with all current Noctua square-frame 120x25mm fans such as the popular NF-A12x25, NF-F12, NF-P12 redux or NF-S12A series. The slim NF-A12x15 or fans from other manufacturers are not supported.

Set of 2 (Sx2)

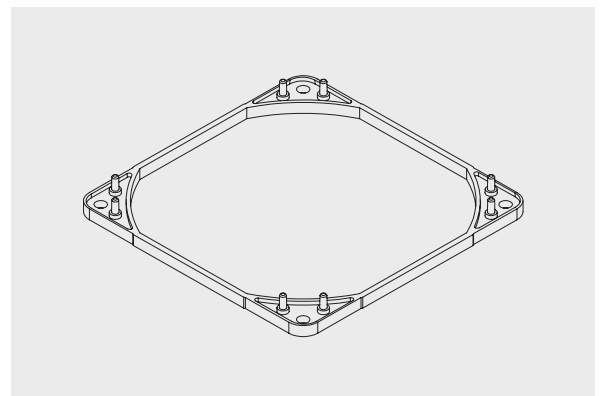
The NA-IS1-12 Sx2 is a set of two spacer frames plus the matching anti-vibration mounts, fan screws and radiator screws — ideal for equipping e.g. two 120mm intake fans in the front of a PC case or two 120mm fans on a 240mm radiator that’s installed in a front intake position.

Anti-vibration mounts and fan screws

For use with case intake fans, the NA-IS1-12 Sx2 contains eight long self-tapping fan screws and eight NA-AV3 silicone anti-vibration mounts for tool-free, vibration-proof installation. Both the screws and the anti-vibration mounts simply go through the holes in the spacer and attach to the fan, sandwiching the spacer between the fan and the case. **Radiator screws**

Radiator screws

For use with water cooling radiators, the NA-IS1-12 Sx2 contains 35mm long radiator screws, eight pieces with M3 thread and eight pieces with UNC 6-32 thread so that customers can choose the correct type for their radiator.



LOGISTIC DATA

Product name

Noctua NA-IS1-12 Sx2

EAN

9010018201444

UPC

841501121449

Packaging dimensions (HxWxD)

138x124x33 mm

Weight incl. packaging

143 g

Warranty

6 years

Packaging unit

60 pcs

Packaging dimensions / unit (HxWxD)

401x385x303 mm

Weight incl. packaging / unit

9.40 kg

SCOPE OF DELIVERY

2x NA-IS1-12 inlet spacers for 20mm fans

8x NA-AV3 anti-vibration mounts

8x NM-SFS4-BK long fan screws

8x NM-SFS5-BK radiator screws (M3)

8x NM-SFS6-BK radiator screws (UNC)