



Dear customer,

Thank you very much for choosing the Noctua NH-U12S redux.

True to the spirit of Noctua's redux line, the NH-U12S redux is a streamlined, accessibly priced version of the iconic NH-U12S that has established itself as a benchmark for slim, highly compatible 120mm CPU coolers.

I'm confident that you will be able to sense some of the research, attention and care we've put into making this product.

Enjoy your Noctua NH-U12S redux!

Yours sincerely,

Roland Mossig, Noctua CEO

NOCTUA NH-U12S REDUX

This manual will guide you through the installation process of the SecuFirm2™ mounting system step by step.

Prior to installing the cooler, please consult the compatibility list on our website (ncc.noctua.at) and verify that the cooler is fully compatible with your motherboard.

Please also make sure that your PC case offers sufficient clearance for the cooler and that there are no compatibility issues with any other components (e.g. tall RAM modules).

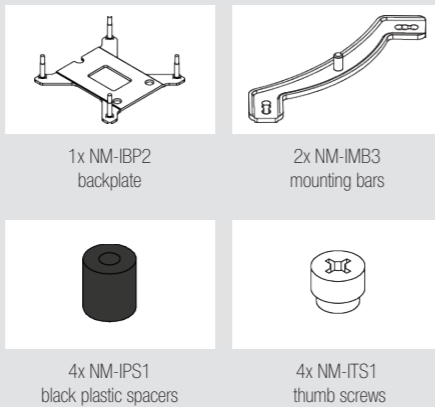
Double check that the heatsink and fan clips do not make contact with the VGA card or other PCIe cards. Noctua cannot be held responsible for any damage or losses caused by compatibility issues.

Should you encounter any difficulties, please check the FAQs on our website (www.noctua.at/faqs) and don't hesitate to contact our support team at: support@noctua.at.

Multilingual versions of this manual are available on our website: www.noctua.at/manuals

LGA115x & LGA1200 Installation Manual

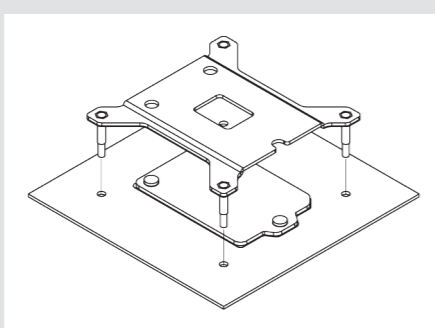
Required mounting parts:



1 Removing the motherboard

In case you want to use the cooler on an assembled system and your case doesn't have a cut-out at the rear side of the motherboard tray, you first have to remove the motherboard from the case in order to be able to install the supplied backplate.

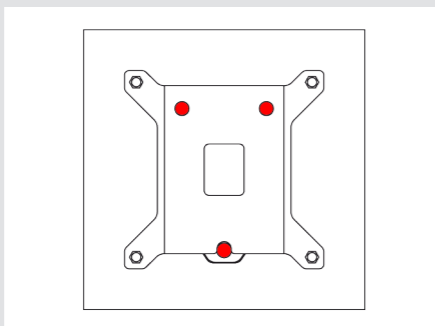
2 Attaching the backplate



Caution: The supplied backplate will install over the motherboard's stock backplate, so the motherboard's stock backplate must not be taken off.

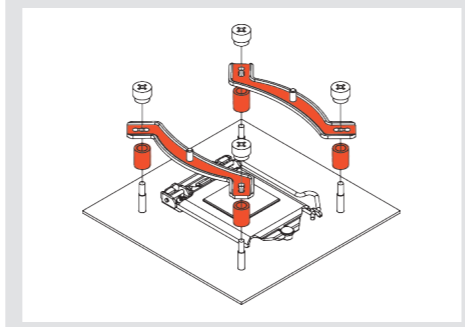
Place the backplate on the rear side of the motherboard so that the bolts stick through the mounting holes.

Caution: Please make sure that the three cut-outs in the supplied backplate align with the screws of the motherboard's stock backplate.

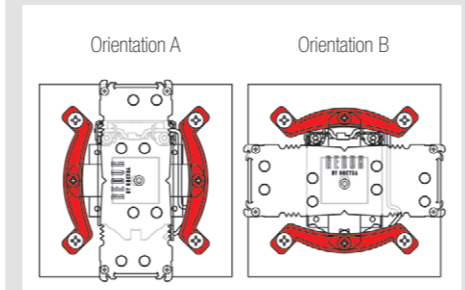


3 Installing the mounting bars

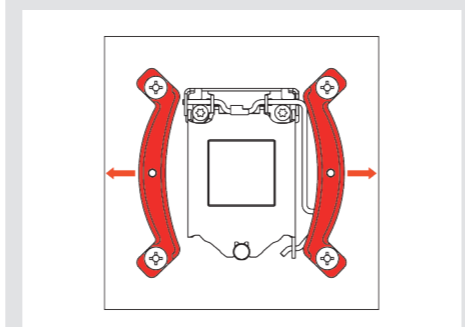
First put the plastic spacers onto the bolts of the backplate, then add the mounting bars.



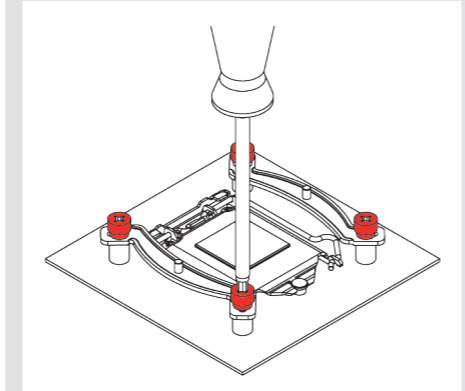
Caution: Choose the alignment of the mounting bars according to the desired final orientation of the cooler:



Caution: Make sure that the curved sides of the mounting bars are pointing outwards.



Fix the mounting bars using the 4 thumb screws.

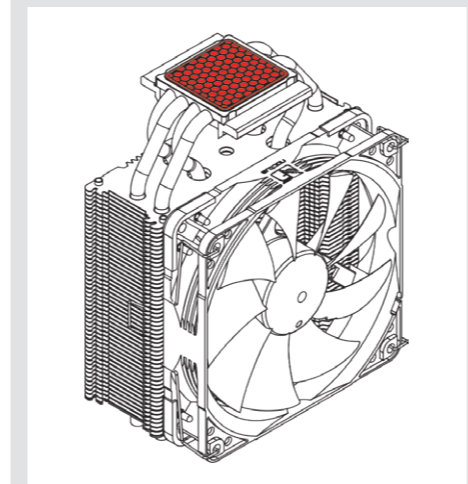


Caution: Gently tighten the screws until they stop, but do not use excessive force (max. torque 0.6 Nm).

4 Fastening the heatsink to the CPU

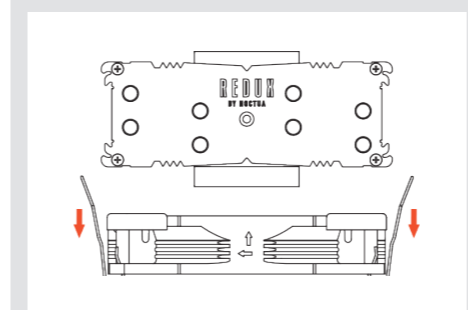
If there are residual traces of thermal paste or thermal pads on your CPU from previous usage, please clean them off first.

The cooler comes with high quality Noctua NT-H1 thermal paste pre-applied, so if you are installing it for the first time, there is no need to apply extra thermal paste.

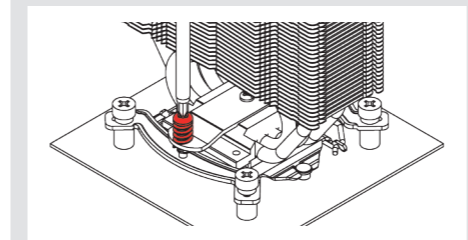


If you are not using the heatsink for the first time and it therefore no longer has a fresh layer of pre-applied thermal compound, you will need to apply some thermal compound (e.g. Noctua NT-H1 or NT-H2, available separately) to the CPU before installing the heatsink. In this case, please remove residual traces of thermal paste or pads from both the CPU and the heatsink before applying new thermal compound.

Caution: Please first take off the fan as well as the protection cover at the bottom side of the heatsink.



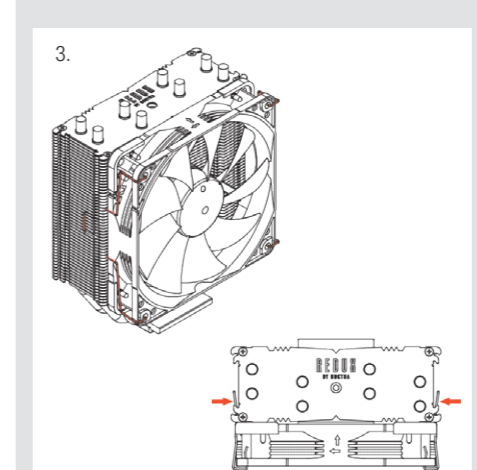
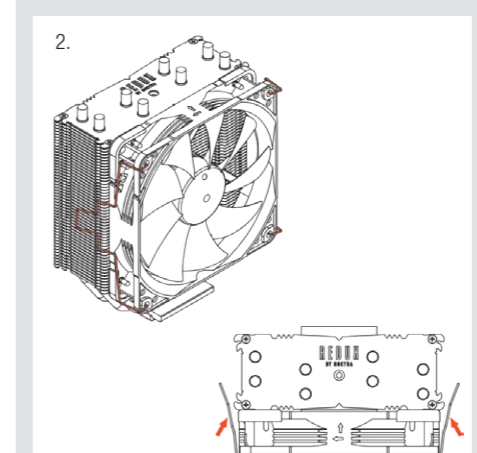
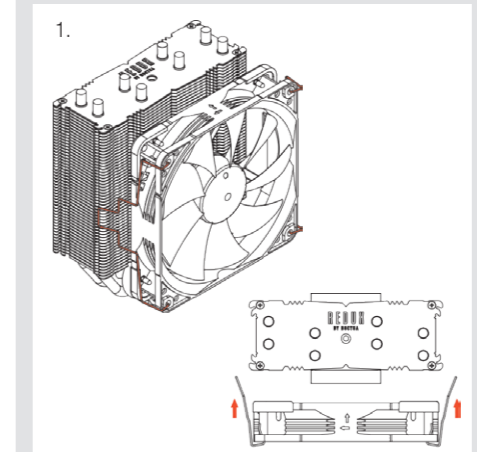
Then put the heatsink onto the CPU and screw it to the screw threads of the mounting bars. Perform 2-3 turns on each screw, then repeat until both are fully tightened.



Caution: Gently tighten the screws until they stop, but do not use excessive force (max. torque 0.6 Nm).

5 Fan setup

Reattach the fan to the heatsink using the supplied steel clips:



Connect the fan to the motherboard's CPU fan header.

If you would like to further improve the cooling performance of your NH-U12S redux, the optional NA-FK1 second fan kit allows you to install a second NF-P12 redux-1700 PWM for even better efficiency.

! Transporting your system

As it is not possible to reliably calculate or control the forces that act upon a system during transport (e.g. in shipping), we generally recommend, for safety reasons, taking the cooler off. Noctua cannot be held responsible for any damage that may arise due to excessive stress during transport if you keep the heatsink installed.

! Warranty, support and FAQs

Even with high-grade products and strict quality control, the possibility of defects cannot be eliminated entirely. Therefore, we aim at providing the highest possible level of reliability and convenience by offering a warranty period of 6 years and direct, fast and straightforward RMA service.

Should you encounter any problems with your NH-U12S redux, please don't hesitate to contact our support team (support@noctua.at).

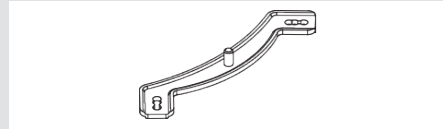
Please also consult the FAQ section on our website: www.noctua.at/faqs



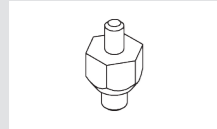
LGA20xx

Installation Manual

Required mounting parts:



2x NM-IMB3 mounting bars



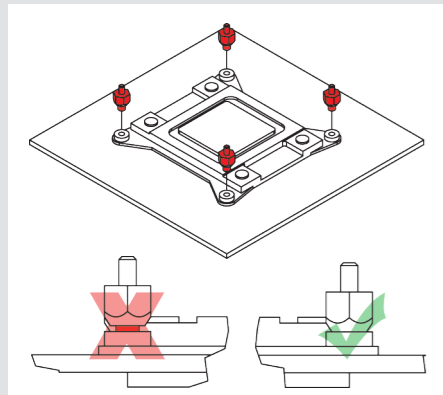
4x NM-IBT2 bolts



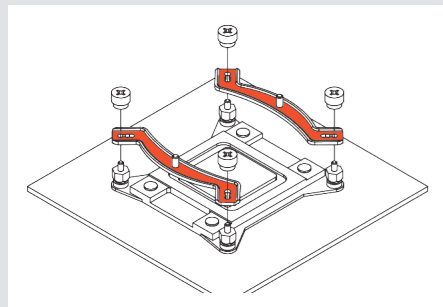
4x NM-ITS1 thumb screws

1 Installing the mounting bars

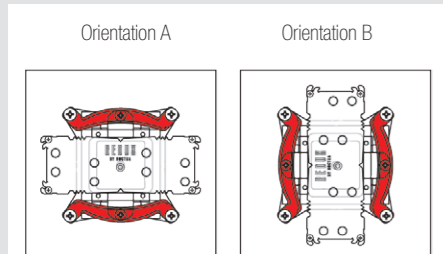
First screw the NM-IBT2 bolts into the screw threads of the LGA20xx socket frame.



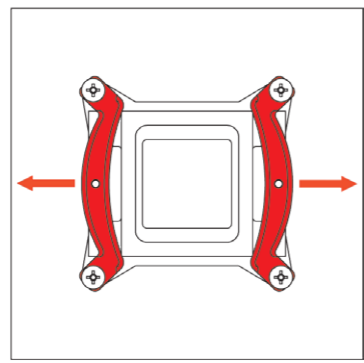
Then put the NM-IMB3 mounting bars onto the bolts.



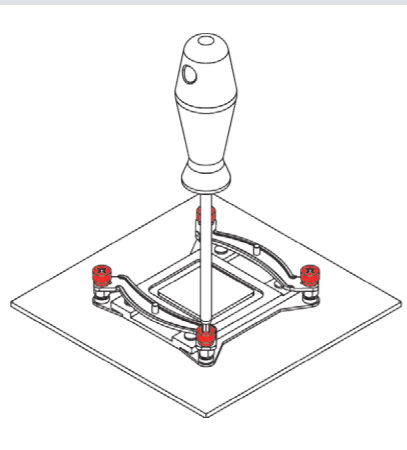
Caution: Choose the alignment of the mounting bars according to the desired final orientation of the cooler:



Caution: Make sure that the curved sides of the mounting bars are pointing outwards.



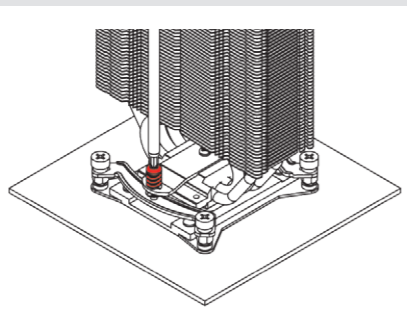
Fix the mounting bars using the 4 thumb screws.



Caution: Gently tighten the screws until they stop, but do not use excessive force (max. torque 0.6 Nm).

2 Fastening the heatsink to the CPU

Please refer to step 4 of the LGA115x & LGA1200 installation manual.



3 Fan setup

Please refer to step 5 of the LGA115x & LGA1200 installation manual.

! Transporting your system

As it is not possible to reliably calculate or control the forces that act upon a system during transport (e.g. in shipping), we generally recommend, for safety reasons, taking the cooler off. Noctua cannot be held responsible for any damage that may arise due to excessive stress during transport if you keep the heatsink installed.

! Warranty, support and FAQs

Even with high-grade products and strict quality control, the possibility of defects cannot be eliminated entirely. Therefore, we aim at providing the highest possible level of reliability and convenience by offering a warranty period of 6 years and direct, fast and straightforward RMA service.

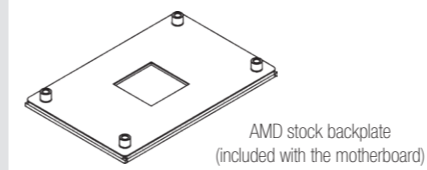
Should you encounter any problems with your NH-U12S redux, please don't hesitate to contact our support team (support@noctua.at).

Please also consult the FAQ section on our website: www.noctua.at/faqs

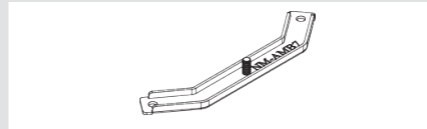
AMD AM4

Installation Manual

Required mounting parts:



AMD stock backplate (included with the motherboard)



2x NM-AMB7 mounting bars



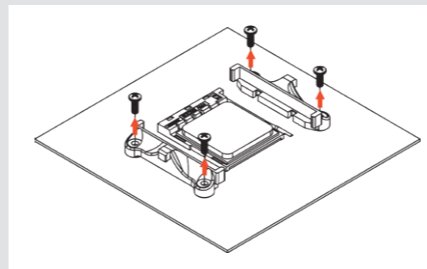
4x NM-APS4 grey plastic spacers



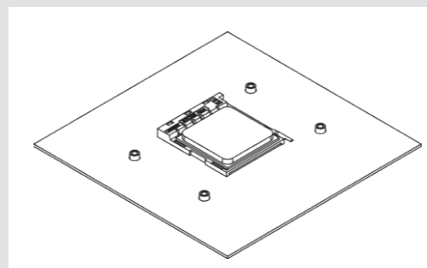
4x NM-ALS1 long screws

1 Removing the stock retention module – putting the backplate in place

If your motherboard comes with a pre-installed CPU cooler retention module, please first remove it by unscrewing it from the backplate. The SecuFirm2™ mounting system will install directly to the stock backplate, so please keep it in place.

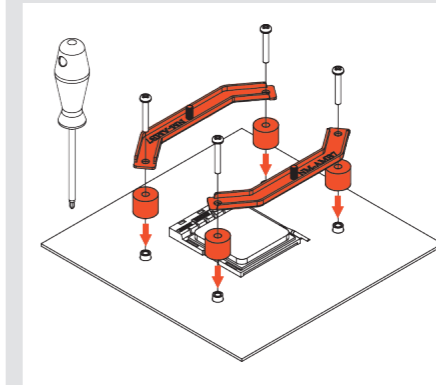


If your motherboard does not come with a pre-installed CPU cooler retention module, the AMD stock backplate should be included with the motherboard accessories. Please put the backplate on the rear side of the motherboard so that the screw threads of the backplate stick through the mounting holes of the motherboard as shown below. If your motherboard does not include a stock backplate, please contact Noctua customer support at support@noctua.at.

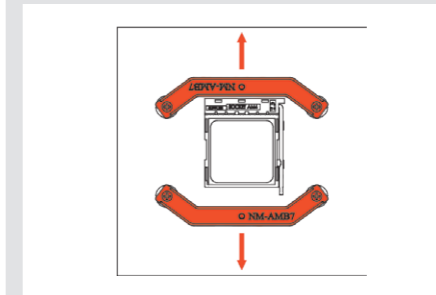


2 Installing the mounting bars

First put the plastic spacers onto the screw threads of the backplate, then fix the mounting bars using the four long screws.



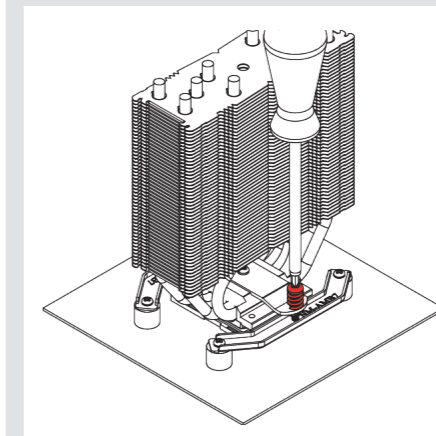
Make sure that the curved sides of the mounting bars are pointing outwards.



Caution: Gently tighten the screws until they stop, but do not use excessive force (max. torque 0.6 Nm).

3 Fastening the heatsink to the CPU

Please refer to step 4 of the LGA115x & LGA1200 installation manual.



4 Fan setup

Please refer to step 5 of the LGA115x & LGA1200 installation manual.

! Transporting your system

As it is not possible to reliably calculate or control the forces that act upon a system during transport (e.g. in shipping), we generally recommend, for safety reasons, taking the cooler off. Noctua cannot be held responsible for any damage that may arise due to excessive stress during transport if you keep the heatsink installed.

! Warranty, support and FAQs

Even with high-grade products and strict quality control, the possibility of defects cannot be eliminated entirely. Therefore, we aim at providing the highest possible level of reliability and convenience by offering a warranty period of 6 years and direct, fast and straightforward RMA service.

Should you encounter any problems with your NH-U12S redux, please don't hesitate to contact our support team (support@noctua.at).

Please also consult the FAQ section on our website: www.noctua.at/faqs