

# NM-TR5-SP6

## Noctua NM-TR5-SP6 Mounting Kit

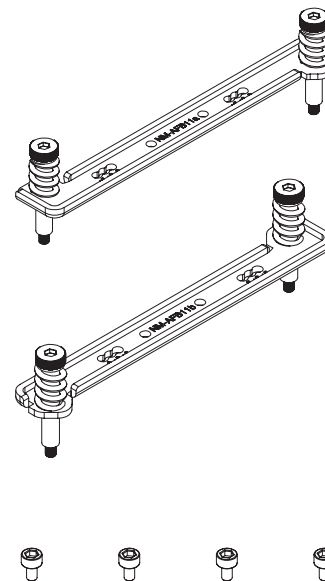


The NM-TR5-SP6 is a SecuFirm2™ mounting-kit that enables the installation of Noctua's DX-4677, DX-4189, DX-3647 and TR4-SP3 series coolers to AMD TR5/SP6 sockets (sTRX5/sWRX9) for Epyc line server and Threadripper line workstation CPUs. While the brackets and springs have been updated to meet the increased pressure requirements of the new TR5/SP6 socket, installation is just as easy as on the previous generation: Put on the heatsink, fix the four spring-loaded Allen key screws using the supplied tool and you're done!

### SOCKET & COOLER COMPATIBILITY

Socket compatibility	AMD sTRX5, sWRX9, SP6
Cooler compatibility	NH-U14S DX-4677, NH-U12S DX-4677,
	NH-D9 DX-4677 4U, NH-U9 DX-4677,
	NH-U14S DX-4189, NH-U12S DX-4189,
	NH-D9 DX-4189 4U, NH-U9 DX-4189,
	NH-U14S DX-3647, NH-U12S DX-3647,
NH-D9 DX-3647 4U, NH-U14S TR4-SP3,	
NH-U12S TR4-SP3, NH-U9 TR4-SP3	

*Caution: The NM-TR5-SP6 is only compatible with DX-4677, DX-4189, DX-3647 and TR4-SP3 series coolers and cannot be used with any other cooler models.*



### LOGISTIC DATA

Product name  
Noctua NM-TR5-SP6

EAN  
9010018201635

UPC  
841501121630

Packaging dimensions (HxWxD)  
192x74x23 mm

Weight incl. packaging  
140 g

Warranty  
6 years

Packaging unit  
60 pcs

Packaging dimensions / unit (HxWxD)  
410x282x250 mm

Weight incl. packaging / unit  
9.00 kg

### SCOPE OF DELIVERY

SecuFirm2™ mounting kit for TR5-SP6

NM-SMT4 mounting tool for mounting bracket installation

4x NM-SSC2 small screws