



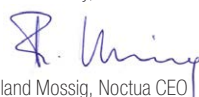
Dear customer,

Thank you very much for choosing a Noctua cooler for your Intel LGA1700 (LGA17xx family) system.

We always like to think of our coolers as safe long-term investments: Not only are they built to last, but we also provide upgrade kits so that you can keep using your trusty Noctua heatsink whenever you do a system upgrade.

Enjoy your Noctua cooler on LGA17xx!

Yours sincerely,



Roland Mossig, Noctua CEO

This manual will guide you through the installation process step by step using an NH-U12P heatsink as an example. Please note that the installation procedure is identical for all models.

Prior to installing the cooler, please consult the compatibility centre on our website (ncc.noctua.at) and verify that the cooler is fully compatible with your motherboard.

Please also make sure that your PC case offers sufficient clearance for the cooler and that there are no compatibility issues with any other components (e.g. tall RAM modules).

Double check that the heatsink and fan clips do not make contact with the VGA card, other PCIe cards, motherboard heatsinks or any other components.

Noctua cannot be held responsible for any damage or losses caused by compatibility issues.

Should you encounter any difficulties, please check the FAQs on our website (www.noctua.at/faqs) and don't hesitate to contact our support team at: support@noctua.at

Multilingual versions of this manual are available on our website: www.noctua.at/manuals

Please note that this NM-i17xx-MP83 kit is compatible with heatsinks with 83mm mounting pitch (see list below) only.

For heatsinks with 78mm mounting pitch (see list below), the NM-i17xx-MP78 kit must be used instead.

To find out how to determine if your cooler uses 83mm or 78mm mounting pitch, please see: www.noctua.at/mounting-pitch

For detailed, up-to-date socket compatibility information please visit: ncc.noctua.at/socket-compatibility-overview

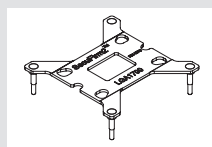
! NM-i17xx-MP83 (83mm mounting pitch)

- NH-D15 (SE-AM4, chromax.black)
- NH-D15S (chromax.black)
- NH-D14 (SE2011)
- NH-D9L
- NH-C14
- NH-C14S
- NH-C12P (SE14)
- NH-L12
- NH-U12
- NH-U12F
- NH-U12P (SE1366, SE2)
- NH-U9
- NH-U9F
- NH-U9B (SE2)
- NH-L9x65 (SE-AM4)
- NH-P1

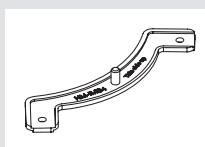
! NM-i17xx-MP78 (78mm mounting pitch)

- NH-L12 Ghost S1 Edition
- NH-L12S
- NH-U9S (chromax.black)
- NH-U12A (chromax.black)
- NH-U12S (SE-AM4, chromax.black)
- NH-U12S redux
- NH-U14S

Required mounting parts:



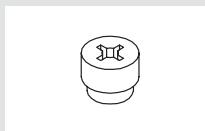
1x NM-IBP5
backplate



2x NM-IMB4
mounting bars



4x NM-IPS3
blue plastic spacers

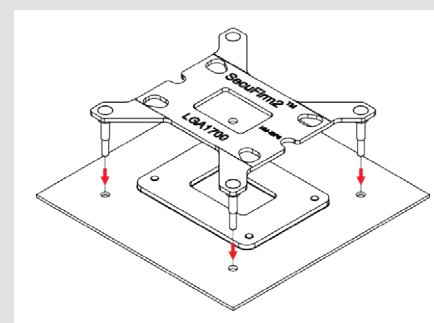


4x NM-ITS1
thumb screws

1 Removing the backplate

If you would like to use the cooler on an assembled system and your case does not have a cut-out at the rear side of the motherboard tray, you must first remove the motherboard from the case in order to be able to install the supplied backplate.

2 Attaching the backplate

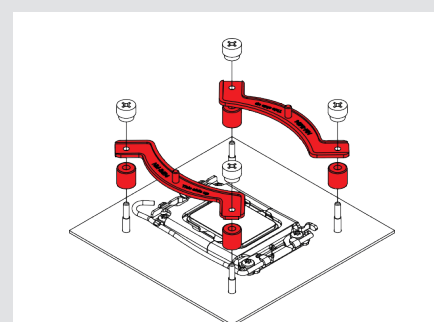


Caution: The supplied backplate will install over the motherboard's stock backplate, so the motherboard's stock backplate must not be taken off.

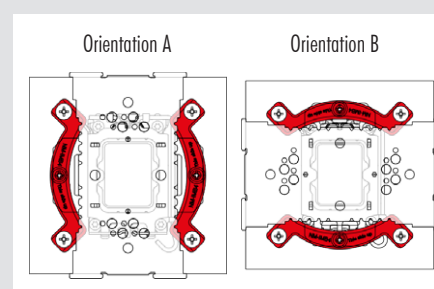
Place the NM-IBP5 backplate on the rear side of the motherboard so that the bolts protrude through the mounting holes.

3 Installing the mounting bars

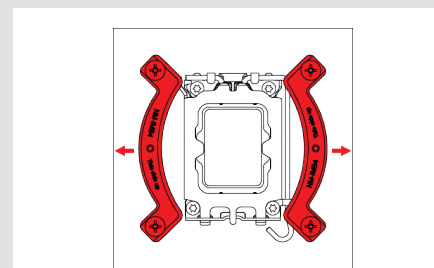
Put the plastic spacers onto the bolts of the backplate, then add the mounting bars.



Caution: Choose the alignment of the mounting bars according to the desired final orientation of the cooler:

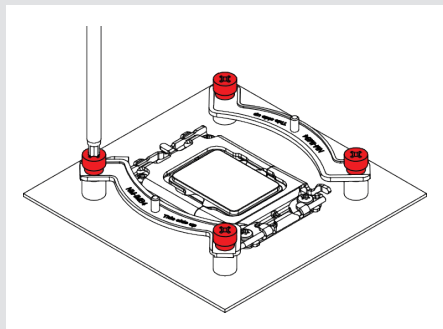


Caution: Make sure that the curved sides of the mounting bars are pointing outwards.





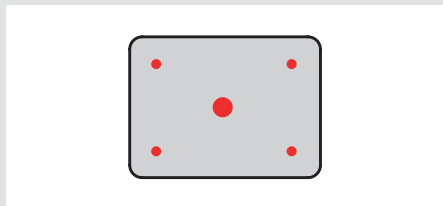
Fix the mounting bars using the four NM-ITS1 thumb screws.



Caution: Gently tighten the screws until they stop, but do not use excessive force (max. torque 0.6 Nm).

4 Applying the thermal paste

If there are residual traces of thermal paste or thermal pads on your CPU, please clean them off first. Then apply 5 small dots of thermal paste (e.g. Noctua NT-H1 or NT-H2) onto the CPU (4 dots with ~2mm diameter near the corners plus 1 dot with 3-4mm diameter in the centre) as shown below:

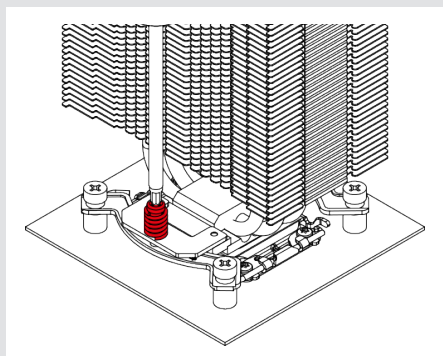


Caution: Applying too much thermal paste will lower heat conductivity and cooling performance!

5 Fastening the heatsink to the CPU

Caution: Note that depending on the cooler model, it may be necessary to remove the fan(s) in order to reach the mounting screws. If you're using the cooler for the first time, please also take off the protection cover at the bottom side of the heatsink first!

Then put the heatsink onto the CPU and screw it to the screw threads of the mounting bars. Perform 2-3 turns on each screw, then repeat until both are fully tightened.



Caution: Gently tighten the screws until they stop, but do not use excessive force (max. torque 0.6 Nm).

6 Fan setup

Reattach the fan(s) to the heatsink (if removed during the installation process) and connect the fan(s) to the motherboard as described in the cooler manual.

If you don't have it at hand, you can download it at:
www.noctua.at/manuals

! Transporting your system

As it is not possible to reliably calculate or control the forces that act upon a system during transport (e.g. in shipping), we generally recommend, for safety reasons, taking off coolers with a total weight of more than 700g (incl. fan).

If the weight of the heatsink without fan is below 700g and the total weight including fan is above 700g, we recommend taking off the fan from the heatsink in order to reduce the weight below 700g.

Noctua cannot be held responsible for any damage that may arise due to excessive stress during transport if you keep the heatsink installed.

! Warranty, support and FAQs

Even with high-grade products and strict quality control, the possibility of defects cannot be eliminated entirely. Therefore, we aim at providing the highest possible level of reliability and convenience by offering a warranty period of 6 years and direct, fast and straightforward RMA service.

Should you encounter any problems with your NM-i17xx-MP83, please don't hesitate to contact our support team at:
support@noctua.at

Please also consult the FAQ section on our website:
www.noctua.at/faqs