



Dear customer,

Thank you very much for choosing the Noctua NH-D9 TR5-SP6 4U.

Our Threadripper and Epyc coolers have become a standard choice when it comes to quiet, premium grade air cooling solutions for AMD-based workstations and servers, and we're excited to continue this legacy with the new TR5-SP6 models. I'm confident that you will be able to sense some of the research, attention and care we've put into making this product.

Enjoy your Noctua NH-D9 TR5-SP6 4U!

Yours sincerely,

Roland Mossig, Noctua CEO

This manual will guide you through the installation process of the SecuFirm2™ mounting system step by step.

Prior to installing the cooler, please consult the compatibility centre on our website ([ncc.noctua.at](http://ncc.noctua.at)) and verify that the cooler is fully compatible with your motherboard.

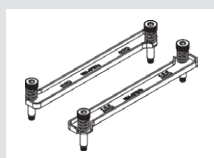
Please also make sure that your PC case offers sufficient clearance for the cooler and that there are no compatibility issues with any other components (e.g. tall RAM modules).

Double check that the heatsink and fan clips do not make contact with the VGA card, other PCIe cards, motherboard heatsinks or any other components.

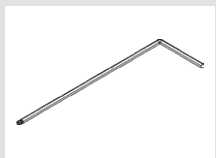
Noctua cannot be held responsible for any damage or losses caused by compatibility issues.

Should you encounter any difficulties, please check the FAQs on our website ([www.noctua.at/faqs](http://www.noctua.at/faqs)) and don't hesitate to contact our support team at [support@noctua.at](mailto:support@noctua.at).

### Required mounting parts:



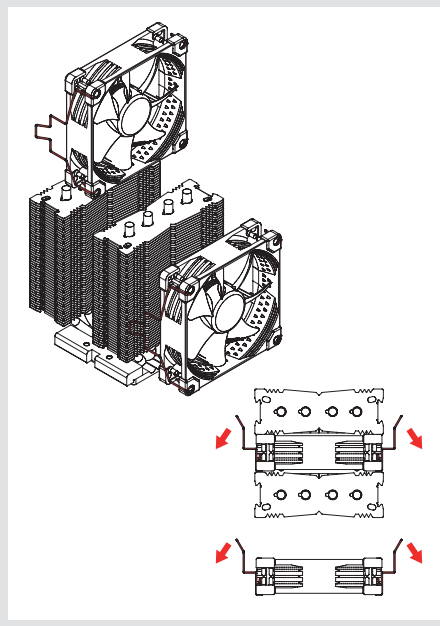
NM-AFB11 fastening brackets  
(pre-installed on the cooler)



NM-SMT3 mounting tool

## 1 Removing the fans

Take the fans off the cooler.

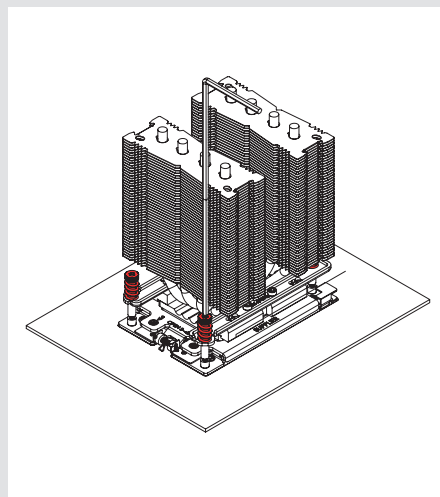


## 2 Fastening the heatsink to the CPU

Remove the plastic protection cover from the base of the heatsink and be careful not to damage the layer of pre-applied thermal compound.

Caution: If you are not using the heatsink for the first time and it therefore doesn't have a fresh layer of pre-applied thermal compound anymore, you need to apply a thin layer of thermal compound to the CPU yourself before clipping it to the heatsink. If there are residual traces of previous thermal paste or thermal pads on your CPU or on the heatsink, please clean them off first.

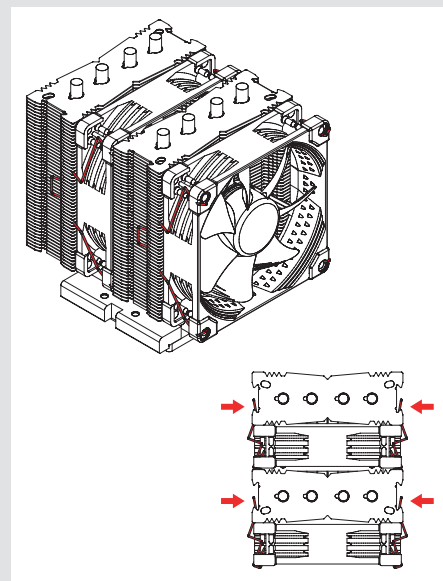
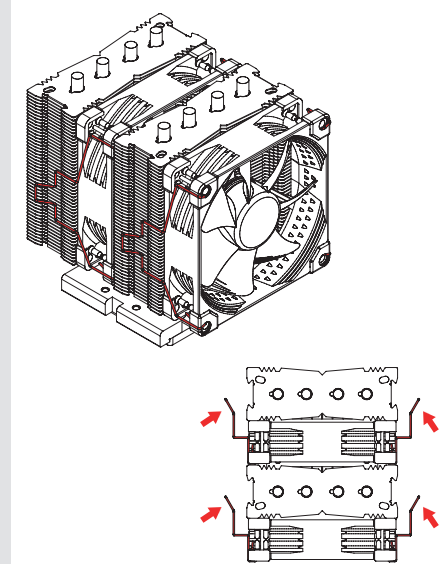
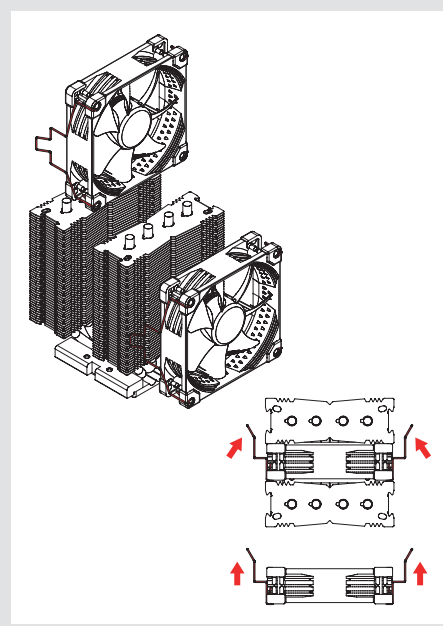
Then put the heatsink onto the CPU so that the four spring-loaded screws align with the threads of the CPU socket. Use the supplied mounting tool to tighten the screws. Perform 3 turns on each screw, then repeat until all are fully tightened.



Caution: Gently tighten the screws until they stop, but don't use excessive force (max. torque 0.6 Nm).

## 3 Installing the fans

Reattach the fans to the heatsink using the supplied fan clips.



Connect the fans to the motherboard's CPU fan header(s). If necessary, use the supplied NA-YC1 splitter cable to connect both fans to one fan header.



## ! Transporting your system

As it is not possible to reliably calculate or control the forces that act upon a system during transport (e.g. in shipping), we generally recommend, for safety reasons, taking the cooler off.

Noctua cannot be held responsible for any damage that may arise due to excessive stress during transport if you keep the heatsink installed.

## ! Warranty, support and FAQs

Even with high-grade products and strict quality control, the possibility of defects cannot be eliminated entirely. Therefore, we aim at providing the highest possible level of reliability and convenience by offering a warranty period of 6 years and direct, fast and straightforward RMA service.

Should you encounter any problems with your NH-D9 TR5-SP6 4U, please don't hesitate to contact our support team at [support@noctua.at](mailto:support@noctua.at).

Please also consult the FAQ section on our website: [www.noctua.at/faqs](http://www.noctua.at/faqs)