

# A47

2U Active Air Cooler

**PRODUCT SPECIFICATIONS**

## Table of Contents

|                              |   |
|------------------------------|---|
| 1. Product Description ..... | 4 |
| 2. Performance Curve .....   | 5 |
| 3. Product Dimension .....   | 6 |

## Document History List

01/09/2023: Initial release (0.0)

## Model Number: A47

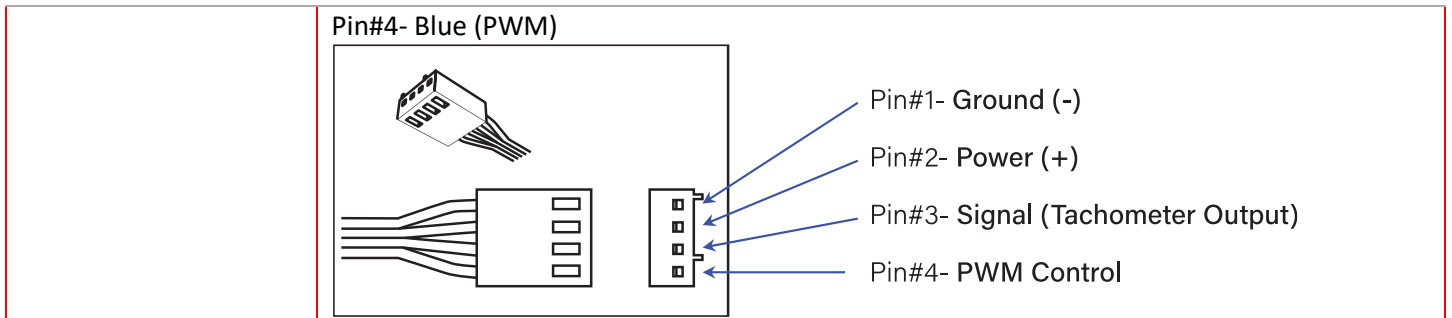
- Recommend for AMD CPU as following
  - AMD Ryzen Processor Family
- Active Cooler for 2U Server & Up

## Overall Specification

|                 |  |
|-----------------|--|
| Dimension       | 107 x 78 x 67 mm                                   |
| Weight          | 400 g  |
| Material        | 4 Heat pipes and Aluminum Stacked Fin              |
| Fan             | 6025 Side-blow fan with PWM Function               |
| Mounting Method | Convenient Heat Sink Captive Mounting              |
| Thermal Grease  | SHIT-ETSU 7762 pre-printed                         |
| TDP             | Support CPU Power up to 120 Watts Heat Dissipation |

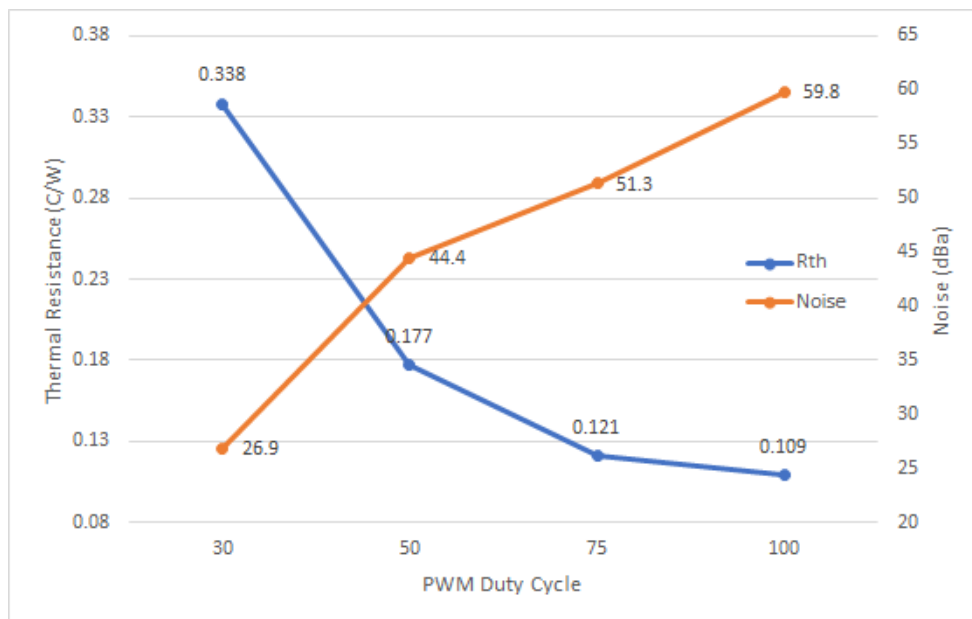
## Cooling Fan Specification

|                       |   |
|-----------------------|---|
| Model Number          | DF126025BU-PWMH   |
| Dimension             | 60 x 60 x 25 mm   |
| Bearing               | Double Ball   |
| Rated Voltage         | 12V   |
| Rated Speed           | At Duty Cycle 0~20%: 2300± 200 RPM<br>At Duty Cycle 50%: 5400± 10% RPM<br>At Duty Cycle 100%: 11000±10% RPM |
| Input Power           | At Duty Cycle 0~20%: 0.84 W<br>At Duty Cycle 50%: 2.76 W<br>At Duty Cycle 100%: 18.0 W                      |
| Maximum Airflow       | At Duty Cycle 0~20%: 11.91 CFM<br>At Duty Cycle 50%: 28.38 CFM<br>At Duty Cycle 100%: 58.31 CFM             |
| Rated Static Pressure | At Duty Cycle 0~20%: 1.48 mm-H2O<br>At Duty Cycle 50%: 7.54 mm-H2O<br>At Duty Cycle 100%: 28.8 mm-H2O       |
| Acoustical Noise      | At Duty Cycle 0~20%: 25.8 dBA<br>At Duty Cycle 50%: 44.4 dBA<br>At Duty Cycle 100%: 59.8 dBA                |
| Lead Wire Pin Out     | Pin#1- Black(-)<br>Pin#2- Yellow(+)<br>Pin#3- Green(Tachometer/ Signal Output)                              |



## Performance Chart: Active Cooler A47 Thermal Resistance

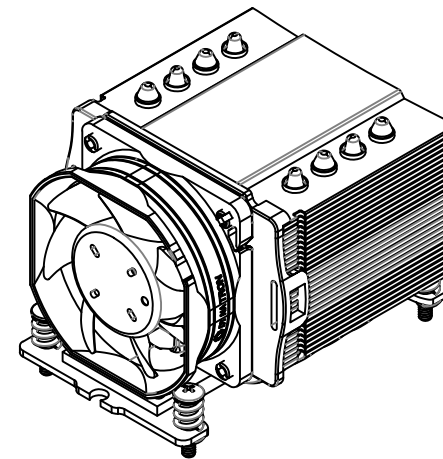
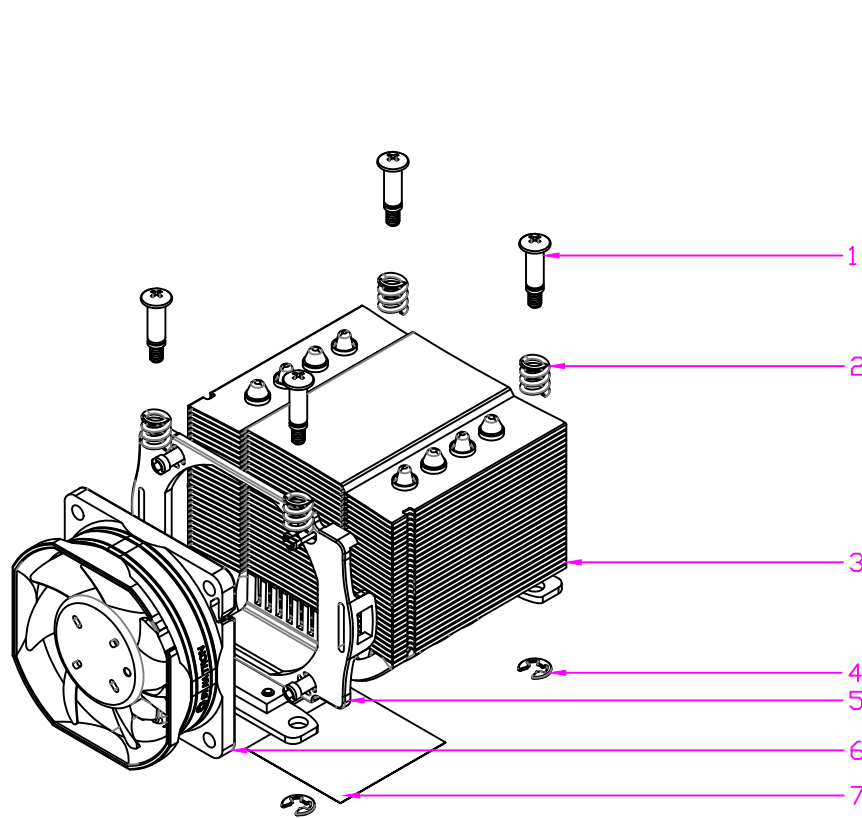
### Active Cooler A47 Cooling Performance vs. Duty Cycle




**CONFIDENTIAL DOCUMENT**

THIS DRAWING CONTAINS INFORMATION PROPRIETARY TO DYNATRON CORPORATION AND DYNAMED INDUSTRIAL CO., LTD. ANY REPRODUCTION, DISCLOSURE, OR USE OF THIS DRAWING IS EXPRESSLY PROHIBITED EXCEPT AS DYNATRON CORPORATION AND DYNAMED INDUSTRIAL CO., LTD. MAY OTHERWISE AGREE TO IN WRITING.

| REV# | DESCRIPTION     | CHECKER | DATE     |
|------|-----------------|---------|----------|
| 0.0  | INITIAL RELEASE | Engr.   | 01/10/23 |



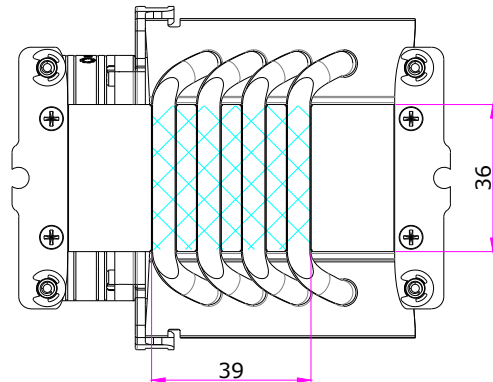
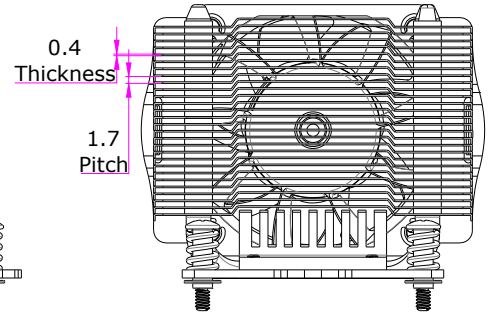
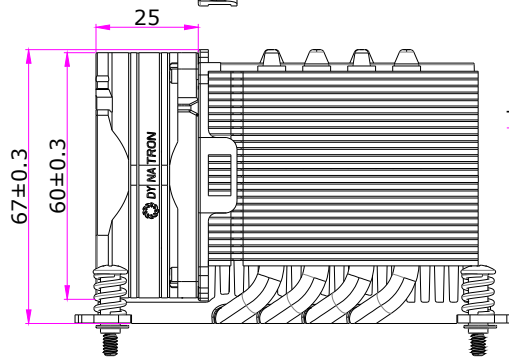
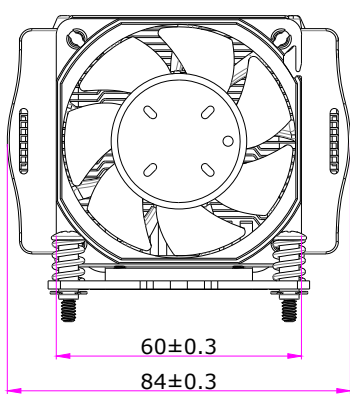
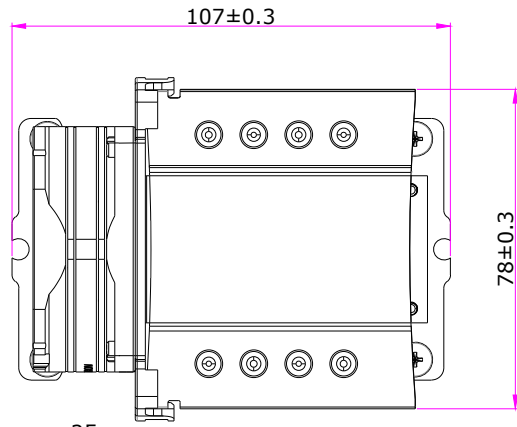
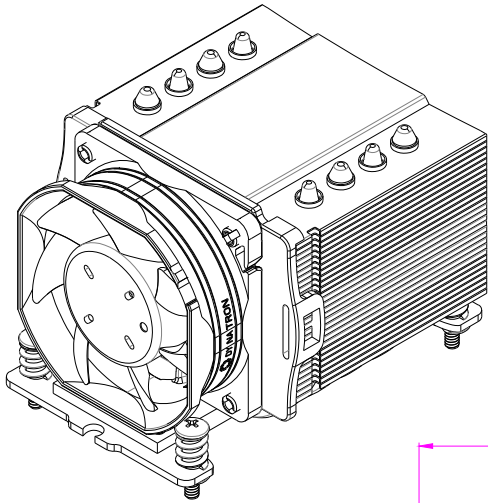
|        |                     |                                |      |
|--------|---------------------|--------------------------------|------|
| 7      | THERMAL GREASE      | SHIN-ETSU, 7762                | 1    |
| 6      | FAN DF126025BU-PWMH | PLASTIC                        | 1    |
| 5      | FAN BRACKET         | PLASTIC                        | 1    |
| 4      | C-RING              | STEEL                          | 4    |
| 3      | HEATSINK            | AL STACK FIN, COPPER HEAT PIPE | 1    |
| 2      | SPRING              | STEEL                          | 4    |
| 1      | SCREW, HEATSINK     | STEEL                          | 4    |
| ITEM # | DESCRIPTION         | MATERIAL                       | QTY. |

|            |  |   |
|------------|--|---|
| DATE       | NAME   |  <b>DYNATRON CORPORATION</b> |
| 01/10/23   | Engr.  |   |
| CHECKED    | 01/10/23   | Engr.   |
| ENG. APPR. |  |   |
| MFG. APPR. |  |   |
| QA         |  |   |
| COMMENTS:  | TITLE:<br>2U Air Cooler A47<br>BOM & Exploded Assembly Drawing |   |
| DWG. No:   |  | REV   |
| DYN-EP-A47 |  | 0.0   |

NOTES:  
1. THE FIGURE IS FOR REFERENCE ONLY, AND NOT FOR SCALE

1 2 3 4 5 6 7

| REV# | DESCRIPTION     | CHECKER | DATE     |
|------|-----------------|---------|----------|
| 0.0  | INITIAL RELEASE | Jun     | 01/10/23 |



A  
B  
C  
D  
E  
F  
G  
H

A  
B  
C  
D  
E  
F  
G  
H

|               | NAME | DATE       |
|---------------|------|------------|
| DRAWN BY      | Jun  | 01/10/2023 |
| CHECKED BY    | Jun  | 01/10/2023 |
| ENG. APPROVED |      |            |
| MFG. APPROVED | -    | -          |



**DYNATRON CORPORATION**

TITLE: **2U Air Cooler A47 Overall Dimension Drawing**

**CONFIDENTIAL DOCUMENT**  
 THIS DRAWING CONTAINS INFORMATION PROPRIETARY TO DYNATRON CORPORATION AND DYNAEON INDUSTRIAL CO., LTD. ANY REPRODUCTION, DISCLOSURE, OR USE OF THIS DRAWING IS EXPRESSLY PROHIBITED EXCEPT AS DYNATRON CORPORATION AND DYNAEON INDUSTRIAL CO., LTD. MAY OTHERWISE AGREE TO IN WRITING.

|       |    |                   |            |
|-------|----|-------------------|------------|
| VIEW  |    | DWG. No:          | REV.       |
| UNITS | MM | <b>DYN-BD-A47</b> | <b>0.0</b> |

1 2 3 4 5 6 7