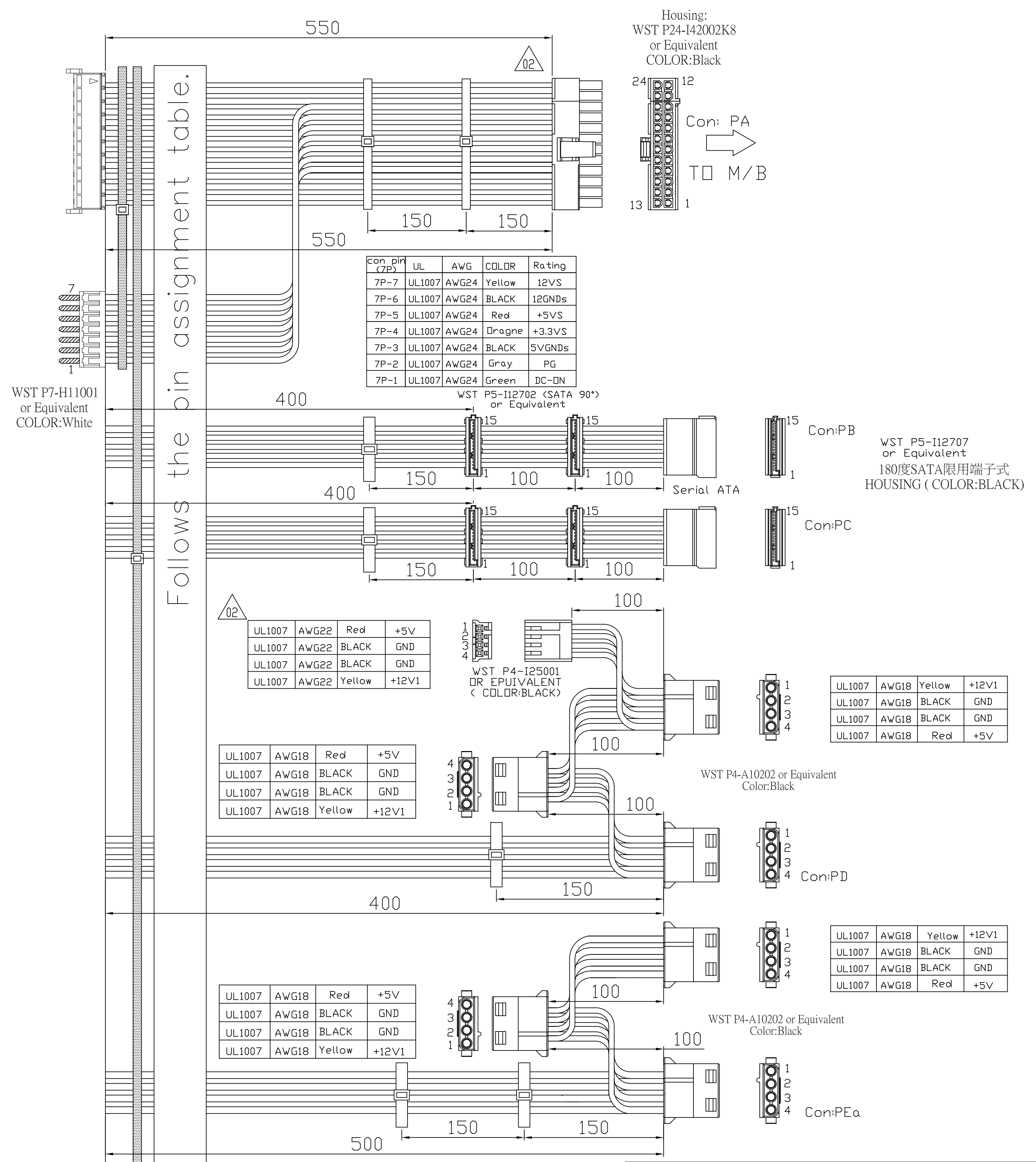


WFC248808DW 外露線長

*NOTE:

- (1)所有膠殼必須符合UL認證(CCN:RTRT2 or ECBT2 or QMFZ2)
- (2)束線帶/編織網/熱縮套管的公差範圍 +10/-0mm
- (3)線材的公差範圍 ±10mm



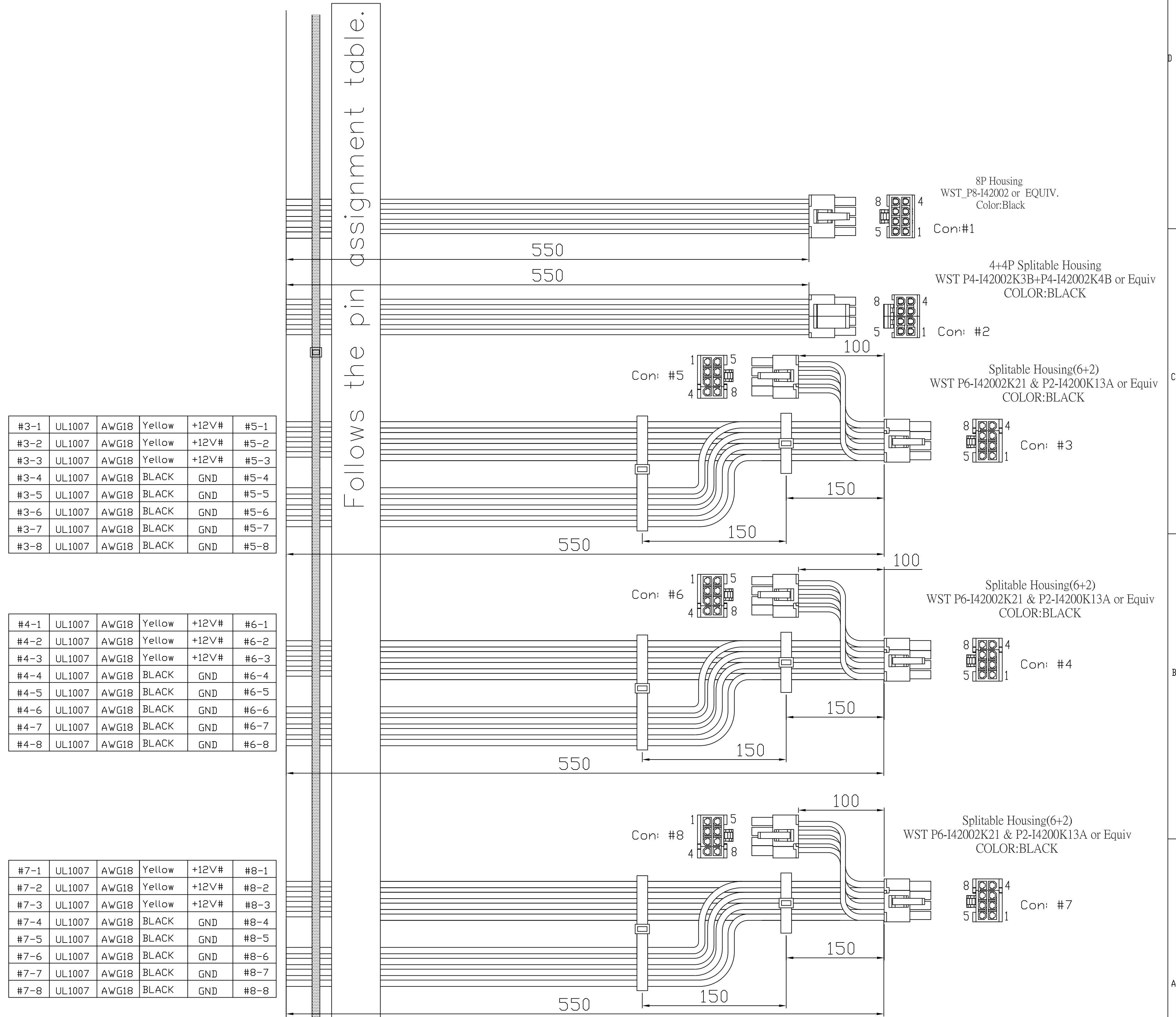
DESIGN CHANGE		
ITEM	REASON OF CHANGE	DESCRIPTION

COMMON TOLERANCE TABLE		SEA SONIC ELECTRONICS Co., Ltd.						
RANGE	±0.05	±0.1	±0.2	±0.4	FILE NO	REV. NO	DRAW BY	DATE
< 8	±0.05	±0.1	±0.2	±0.4	WFC248808DW		SAM	
8-25	±0.08	±0.15	±0.3	±0.5				
25-80	±0.12	±0.25	±0.5	±1.0				
80-250	±0.25	±0.4	±0.8	±1.5				
250-800	±0.5	±0.8	±1.5	±3.0				
800-2500	±1.0	±1.5	±3.0	±6.0				
ANGULAR	±0.15°	±0.3°	±0.5°	±0.8°				

WFC248808DW 外露線長

*NOTE:

- (1)所有膠殼必須符合UL認證(CCN:RTRT2 or ECBT2 or QMFZ2)
- (2)束線帶/編織網/熱縮套管的公差範圍 +10/-0mm
- (3)線材的公差範圍 ±10mm



DESIGN CHANGE		
ITEM	REASON OF CHANGE	DESCRIPTION

COMMON TOLERANCE TABLE		SEA SONIC ELECTRONICS Co., Ltd.						
RANGE	±0.05	±0.1	±0.2	±0.4	FILE NO	REV. NO	DRAW BY	DATE
< 8	±0.05	±0.1	±0.2	±0.4	WFC248808DW		SAM	
8-25	±0.08	±0.15	±0.3	±0.5				
25-80	±0.12	±0.25	±0.5	±1.0				
80-250	±0.25	±0.4	±0.8	±1.5				
250-800	±0.5	±0.8	±1.5	±3.0				
800-2500	±1.0	±1.5	±3.0	±6.0				
ANGULAR	±0.15°	±0.3°	±0.5°	±0.8°				