

 SWITCHING POWER SUPPLY	PRODUCT SPECIFICATION	File: SSP-850RS-A10
	Model: SSP-850RS Full Range Rev.:A10	Date: Jan, 25, 2019 Page: 1 of 7

1.0 INPUT:

1.1 VOLTAGE

	MINIMUM	MAXIMUM	UNITS
INPUT RANGE	90	264	Vrms
RATED RANGE	100	240	Vrms

1.2 FREQUENCY

47Hz ~ 63Hz

1.3 CURRENT

12A/100V, 6A/240V

1.4 INRUSH CURRENT

115V/65A(max.), 230V/130A(max.) at 25°C (cold start)

1.5 POWER EFFICIENCY

At 20%/50%/100% load AC 115V 60Hz and AC 230V 50Hz, the power efficiency should be at least 87%/90%/87%.

1.6 STANDBY MODE

During measurement of the "STANDBY MODE" condition, the main converter is off (PS_ON=High). +5Vsb converter is working and standby input power is measured.

Load Condition	Efficiency	Power in
<45mA	----	<0.45W
45mA	>=50%	----
100mA	>=55%	
250mA	>=65%	----
1.0A	>=75%	----
*2013 ErP Standby efficiency		

1.7 ACTIVE POWER FACTOR CORRECTION (PFC):

PFC at half/full load:

>0.95 at AC 110v 60Hz(typical)

>0.90 at AC 230v 50Hz(typical)

 SWITCHING POWER SUPPLY	PRODUCT SPECIFICATION				File: SSP-850RS-A10
	Model: SSP-850RS Full Range Rev.:A10				Date: Jan, 25, 2019
					Page: 2 of 7

2.0 OUTPUT:

GROUP	1				2
	+3.3V	+5V	+12V	-12V	+5VSB
MAX.LOAD	20A	35A	70A	0.3A	3.0A
MIN.LOAD	0A	0A	0A	0A	0A
VOLTAGE REGULATION	±5%	±5%	±5%	±10%	±5%
RIPPLE & NOISE (mV)	50	50	120	120	50
Capacitive Loads_(uF)	10000	10000	20000	330	10000

NOTE:

- The continuous maximum total output power shall not exceed 850W.
+12V DC maximum output power shall not exceed 70A(840W).
+3.3V and +5V DC maximum combined output power shall not exceed 200W.
- Maximum peak total DC output power should not exceed 935W.
- Peak power and current loading should be supported for a minimum of 1 second.
- +3.3V, +5V and +12V DC output voltage should be within Figure 1 cross loading range to meet regulation.
- Load regulation measuring the output voltage difference between 80plus 20% and 100% load.
- Ripple and Noise measuring with an oscilloscope with 20 MHz bandwidth in Figure 1 cross loading range. Output should be bypassed at the connector with a 0.1uF ceramic disk capacitor and a 10uF electrolytic capacitor to simulate system load. The length of ground wire on probe should not longer than 40mm, if a Non - differential type of scope was used.

2.1 CROSS REGULATION

The +5V & +3.3V combined load and +12VDC load shall remain within the defined in section 2.0 over cross load combinations shown Figure 1:

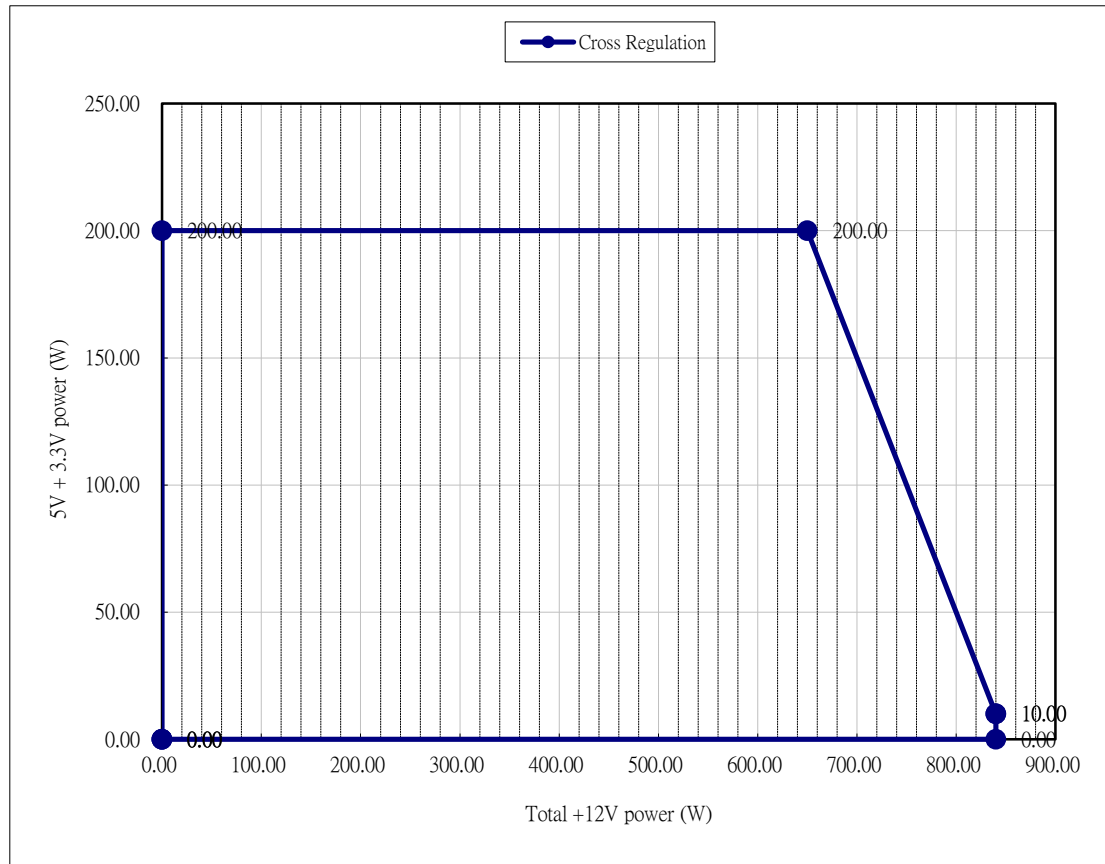


Figure 1

2.2 HOLD-UP TIME: 16ms(minimum)

Test Condition: Full load. AC input 115V or 230V, 47Hz .

2.3 LOAD TRANSIENT RESPONSE (STEP LOAD)

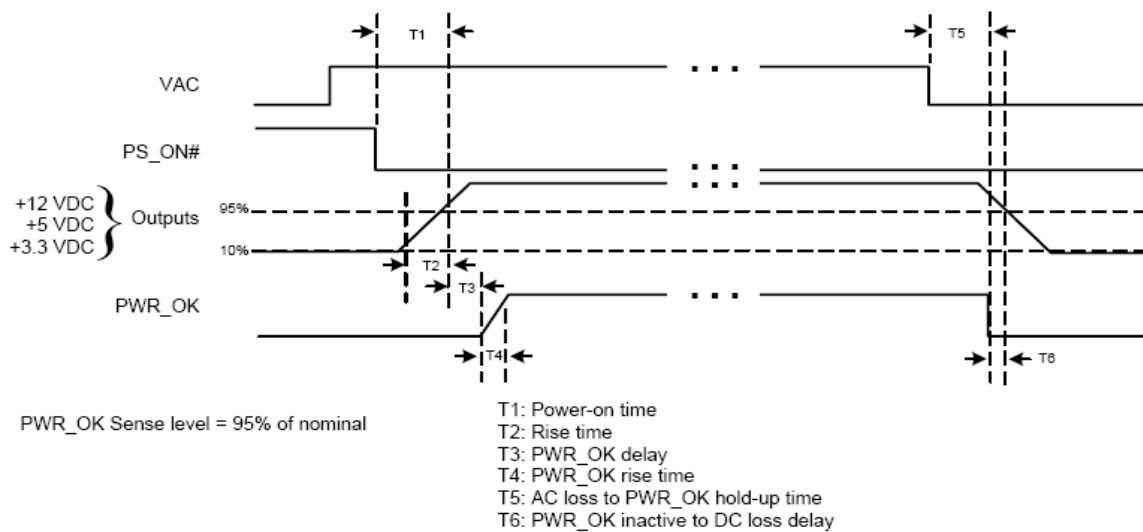
Step load changes up to 60%(12V) and 30%(3.3V and 5V) of full load, while other loads remains constant within the rating. The load waveform shall be a square wave with the slope of the rise and fall at 1.0A/usec and the frequency shall be from 50Hz to 10kHz. The DC output voltage will stay within regulation of $\pm 5\%$ during the step load changes.

2.4 OVERSHOOT

Overshoot at turn on or turn off shall be less than 10% of the nominal output voltage.

2.5 TIMING, HOUSEKEEPING AND CONTROL

A low active PS-ON (DC ON/OFF) input signal is equipped, which provide the interface **ENABLE** or to **DISABLE** the **GROUP1** of DC output. This signal is electrically to interface with **TTL, OPEN COLLECTOR** and the **HARD SWITCH**.



SIGNAL NAME		MAXIMUM	MINIMUM
T1	PS_Power-on time	500mS	
T2	Rise time from each main output	20mS	0.2mS
T3	PWR_ok delay	500mS	100mS
T4	PWR_ok rise time	10mS	
T5	AC loss to PWR_OK hold-up time		16mS
T6	PWR_OK inactive to DC loss delay		1mS

2.5.1 POWER GOOD SIGNAL:

Signal Type: open collector +5DC, TTL compatible.

Logic Level: <0.4V while sinking 4 mA.

Logic Level High: between 2.4VDC and +5V output while sourcing 200 uA.

Max Ripple/Noise: 400mV pk-pk. (no capacitor test)

3.0 OUTPUT PROTECTION

3.1 TOTAL POWER PROTECTION: (OPP)

Total power 150% max with shut-down and latch off protection.

3.2 OVER VOLTAGE PROTECTION: (OVP)

OUTPUT VOLTAGE	MAX. ACT. VOLTAGE	RESULT
+3.3V	4.3V	Shut down & Latch OFF The Group 1 DC Output
+5V	7.0V	
+12V	15.6V	
+5Vsb	8.0V	

3.3 SHORT CIRCUIT PROTECTION: (SCP)

The short between any output of group 1 will shut down all group1.

The short at group 2 will Shut down both group 1 and group 2.

3.4 OVER CURRENT PROTECTION: (OCP)

Over current protection was designed to limit the current to operate within safe operating conditions.

+3.3V, +5V and +12V rails latch off protection required with AC line or PS_ON reset. +5Vsb rail auto-restart upon removal of fault condition.

Rails	Max. protected current
+3.3V	32A
+5V	56A
+12V	112A
+5Vsb	8A

3.5 NO-LOAD SITUATION

No damage or hazardous condition should occur with all the DC output connectors disconnected from the load.

3.6 RESET AFTER SHUTDOWN

Whenever the power supply latches into shutdown state due to fault condition on its output, the power supply will return to normal operation only after the fault has been removed and the PS_ON# has been pulled low again. If the power supply latches into shutdown state due to fault condition on 5Vsb, the power supply will return to normal operation only after the fault has been removed and the power switch(power cord) has been cycled off/on(plugged out/in) with A MINIMUM OFF TIME OF 3 SECONDS.

4.0 COOLING OF POWER SUPPLY

A DC fan was equipped to cooling the power supply, the fan will blow air into power supply and exhaust through the vent holes in AC receptacle side. **This fan is only for power supply internal cooling purpose, not for system cooling.**

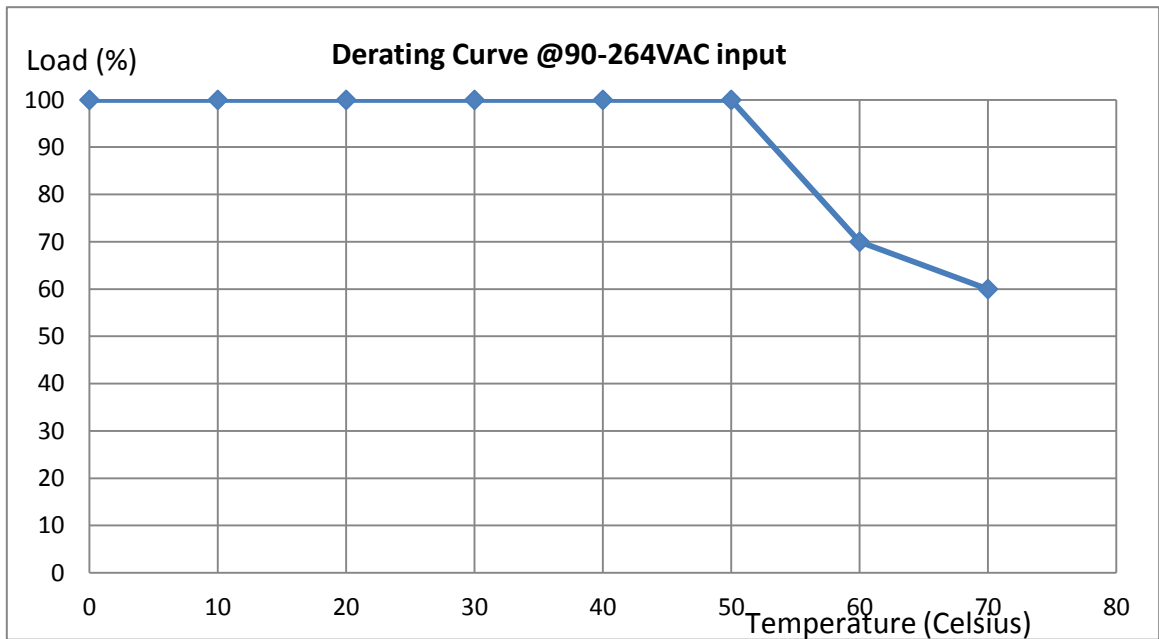
Fan parameters:

Rated Voltage	12VDC
Dimension	80*80*25(mm)
Air flow	57.28 CFM min.
Noise	42.1 db(A)

5.0 ENVIRONMENT

5.1 OPERATING

AMBIENT OPERATION TEMPERATURE: 0 to 50 °C. (The rated power will de-rate from 100% to 60% from 50°C to 70 °C as below curve)




AMBIENT OPERATION RELATIVE HUMIDITY: To 85% relative humidity (non-condensing)

5.2 SHIPPING / STORAGE

AMBIENT STORAGE TEMPERATURE:-40 to 85 Deg C

AMBIENT STORAGE RELATIVE HUMIDITY: To 95% relative humidity (non-condensing)

 SWITCHING POWER SUPPLY	PRODUCT SPECIFICATION Model: SSP-850RS Full Range Rev.:A10	File: SSP-850RS-A10
		Date: Jan, 25, 2019
		Page: 7 of 7

6.0 MTBF

Over 100,000 hours at 25 Deg C. excluding the DC Fan.

7.0 EMC

CE Class B
 FCC Class B

8.0 SAFETY

cTUVus
 TUV
 CB
 CCC
 BSMI
 RCM

9.0 MECHANICAL

Dimension: L 160mm x W 150mm x H 86mm, +/-1mm.